

FEATURES :

- **Fast Switching Speed**
- **Integrated TTL driver**
- **High Isolation**

SPECIFICATIONS @ $T_a=+25C$, $V_s=+5V$

Frequency Range, [GHz]	0.5 to 6
Insertion Loss, max.[dB]	1.5
Isolation, min. [dB]	40
Return Loss min. [dB]	17
Input compression @+30dBm, 1GHz, max [dB]	0.6
Switching speed, typ. [ns] ¹	120

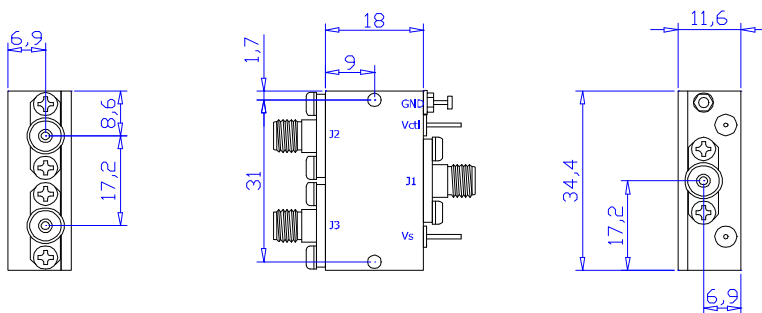
Operating Characteristics

Supply Voltage, V_s , [V]	+5	
Supply current, mA	60	
Control voltage, [V]	Logic"0"	0 to 0.8
Control voltage, [V]	Logic"1"	2.0 to 5.0
Impedance, [Ohm]	50	
Operating Temperature, [°C]	-20 to +70	
Connectors	SMA-female	

Absolute Maximum Ratings

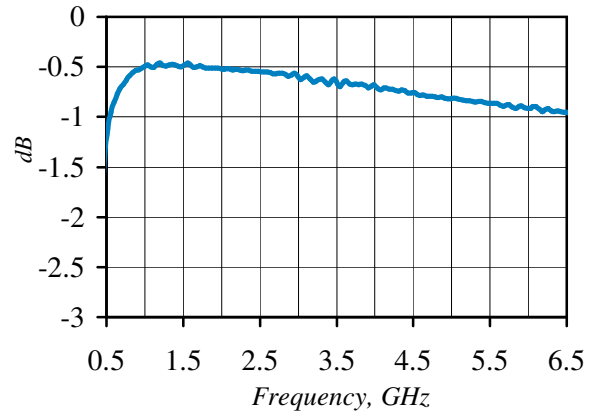
Supply Voltage, V_s , [V]	-0.3 to +5
Control voltage range V_{ctl} , [V]	-0.3 to $V_s+0.3$
RF Power at common port J1, dBm	+33
RF Power at ports J2,J3, dBm	+33

Outline drawing dimensions in mm

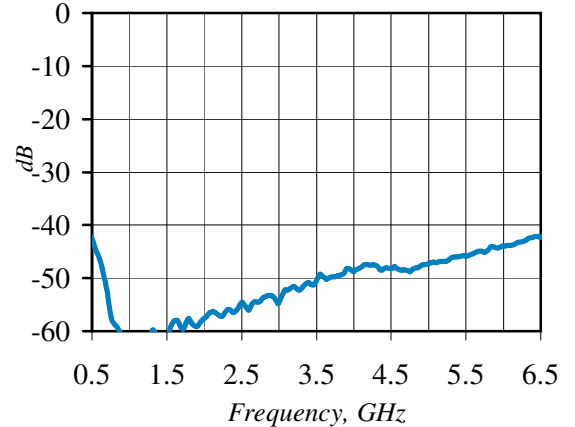


Typical Performance

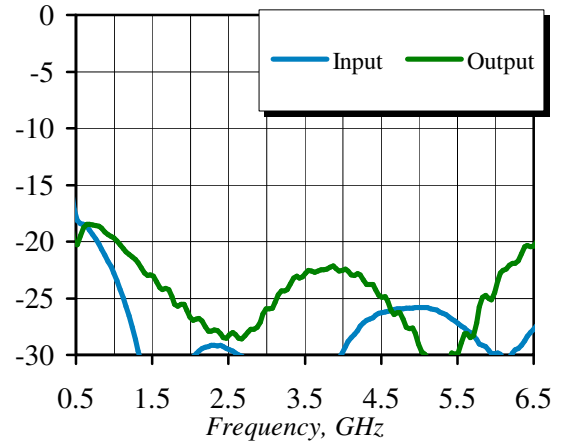
INSERTION LOSS



ISOLATION



RETURN LOSS



Control Logic truth table

Switch state	V_{ctl}	
	0	1
J1 - J2	OFF	ON
J1 - J3	ON	OFF

¹ - Switching speed measured from 50% V_{ctl} to 10%/90% of RF