

FEATURES :

- **Bandwidth 100 to 300MHz**
- **High Directivity**
- **Low Loss**

SPECIFICATIONS

Frequency Range, [MHz]	100 - 300
Coupling, with reference to Input, [dB]	20 ± 1.0
Coupling flatness, max [dB]	±1.5
Mainline Loss*, max [dB]	0.2
Directivity, min [dB]	20
VSWR	1.2:1

Operating Characteristics

Input Power, [W] with matched loads	50
Impedance, [Ohm]	50
Operating Temperature	-40°C to +85°C

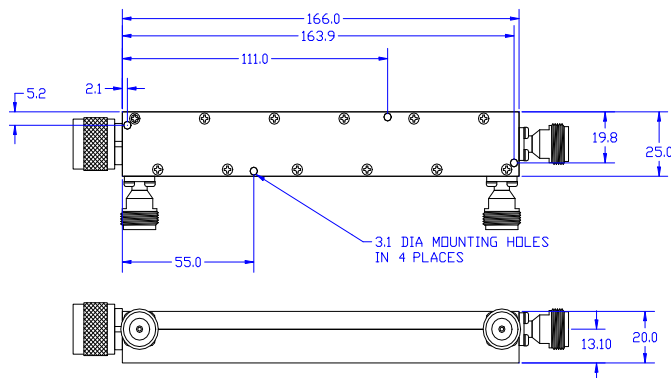
* Mainline loss includes coupling loss

Ordering Information

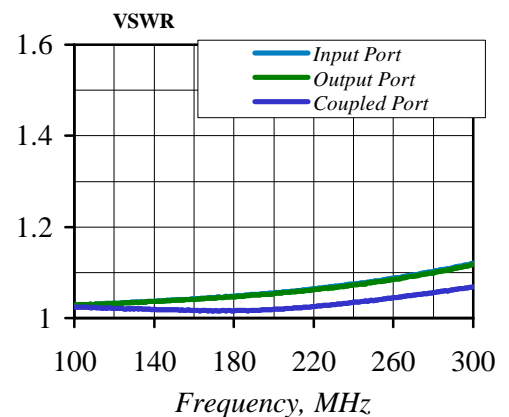
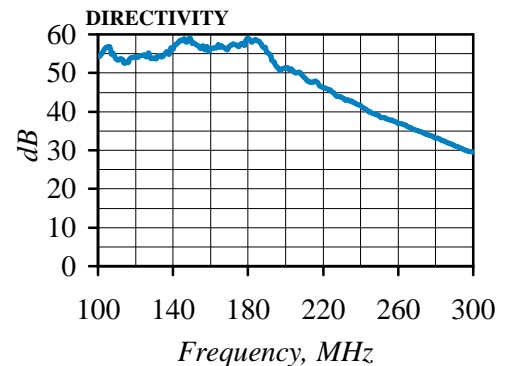
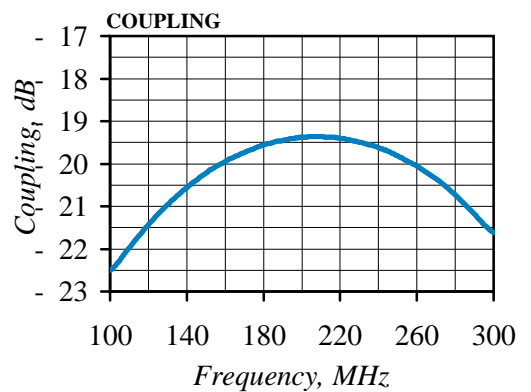
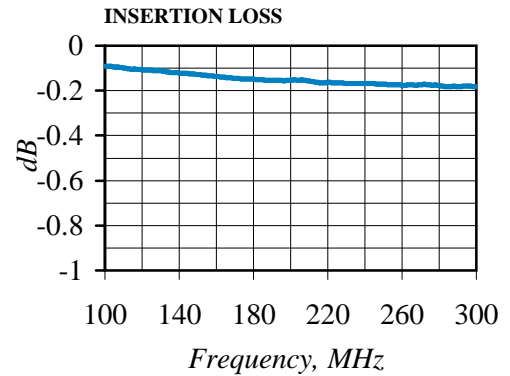
Model No.	Connectors
CPL100-300-20-N	N
CPL100-300-20-SMA	SMA

Outline drawing

dimensions in mm



Typical Performance



Specifications Subject To Change Without Notice