

FEATURES :

- **Bandwidth 20 to 300 MHz**
- **Dual Directional**
- **High Directivity**
- **Low Loss**
- **High Power**

SPECIFICATIONS

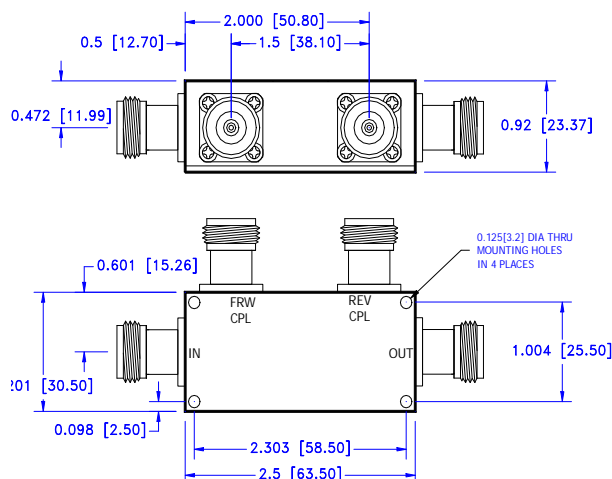
Frequency Range, [MHz]	20 - 300	
Coupling, with reference to Input, [dB]	20 ± 1	
Coupling flatness, max [dB]	±0.3	
Mainline Loss*, max [dB]	0.4	
Directivity, min [dB]	35	
VSWR	Input, output	1.2:1
	Coupled port	1.2:1
Operating Characteristics		
Input Power, [W] with matched loads	10	
Impedance, [Ohm]	50	
Operating Temperature	-40°C to +85°C	

* Mainline loss includes coupling loss

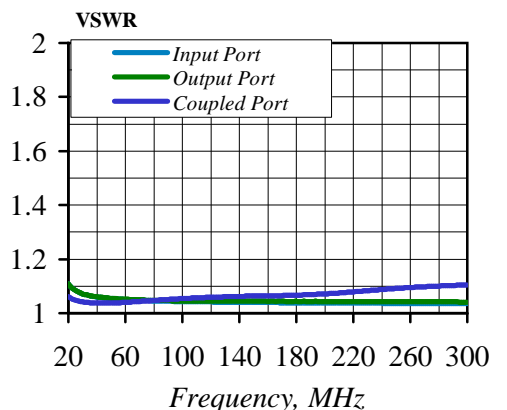
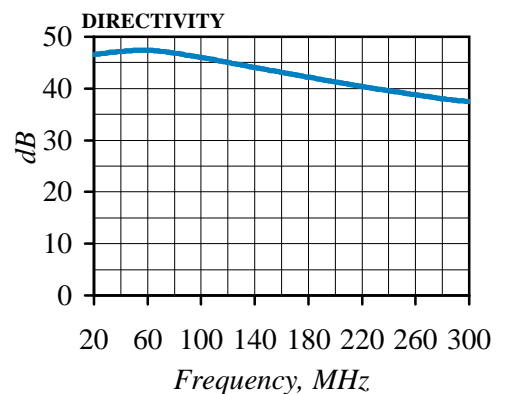
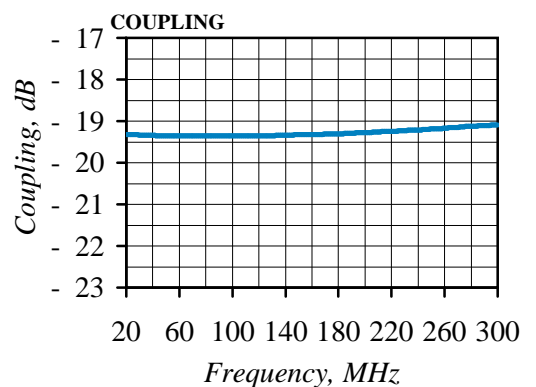
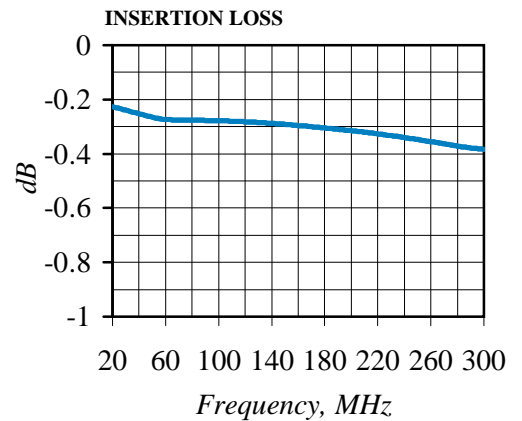
Ordering Information

Model No.	Connectors
CPL20-300-20D	N

Outline drawing dimensions in inches[mm]



Typical Performance



Specifications Subject To Change Without Notice