

FEATURES :

- *Bandwidth 250 to 400MHz*
- *High Directivity*
- *Low Loss*

SPECIFICATIONS

Frequency Range, [MHz]	250 - 400
Coupling, with reference to Input, [dB]	30 ± 1.0
Coupling flatness, max [dB]	±0.35
Mainline Loss*, max [dB]	0.15
Directivity, min [dB]	25
VSWR	1.1:1

Operating Characteristics

Input Power, [W] with matched loads	50
Impedance, [Ohm]	50
Operating Temperature	-40°C to +85°C

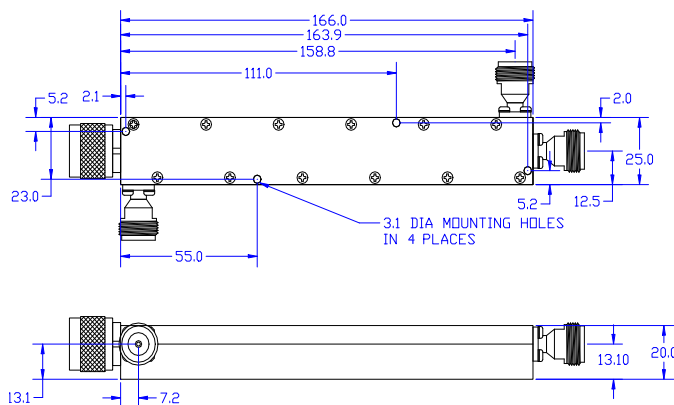
* Mainline loss includes coupling loss

Ordering Information

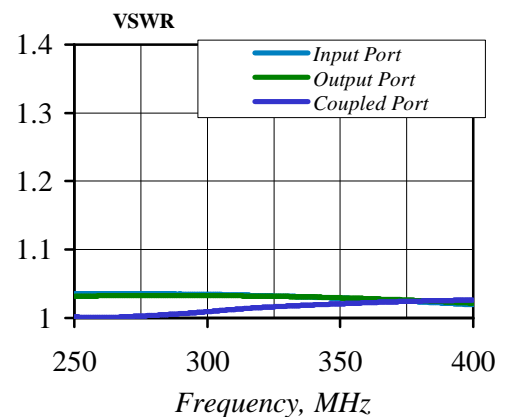
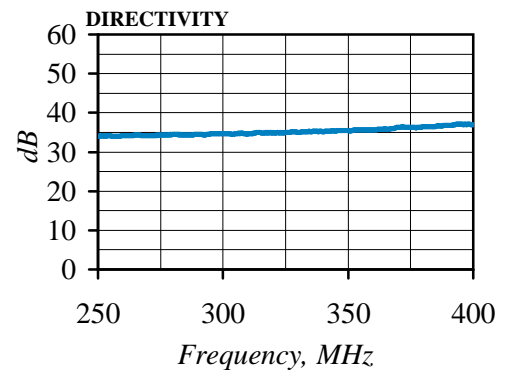
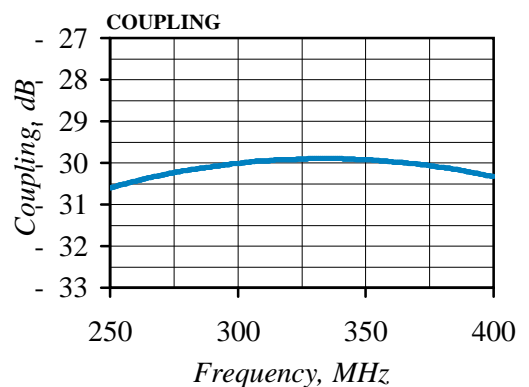
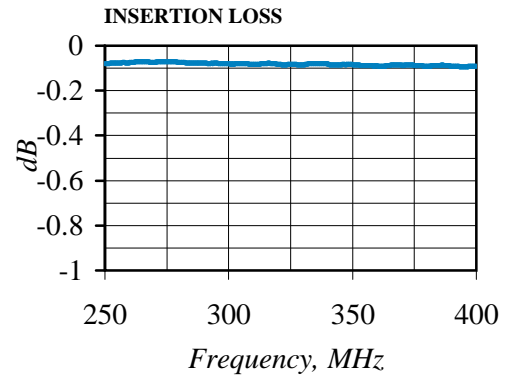
Model No.	Connectors
CPL250-400-30D-N	N
CPL250-400-30D-TNC	TNC

Outline drawing

dimensions in mm



Typical Performance



Specifications Subject To Change Without Notice