

FEATURES :

- *Ultra-wide Bandwidth*
- *Low Insertion Loss*
- *Tight phase and amplitude balance*

SPECIFICATIONS

Frequency Range, [MHz]	1 - 200
Insertion Loss, typ/max [dB] (above 3dB Split Loss)	0.8 / 0.9
Isolation, typ/min [dB]	30 / 25
Amplitude Balance, typ/max [dB]	$\pm 0.2 / \pm 0.3$
Phase Balance, typ/max [degrees]	$\pm 1.0 / \pm 1.2$
VSWR	1.5 : 1

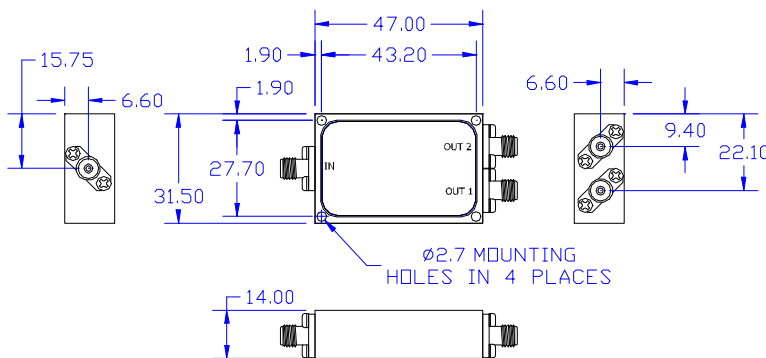
Operating Characteristics

Input Power, max. [mW] with matched loads	1000
Impedance, [Ohm]	50
Operating Temperature	-20°C to +70°C

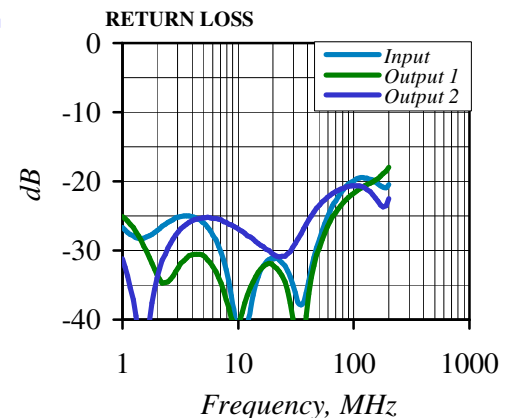
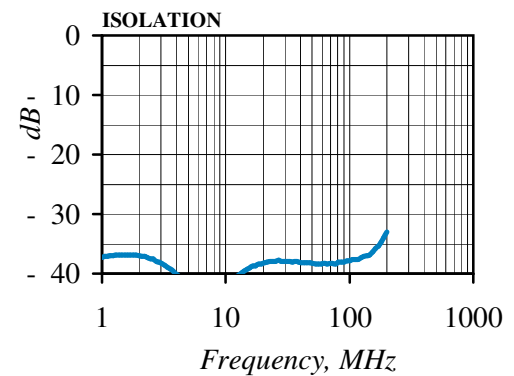
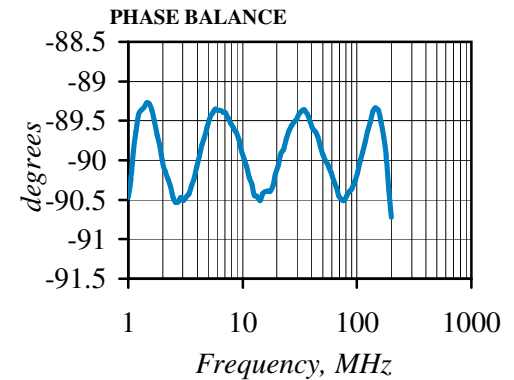
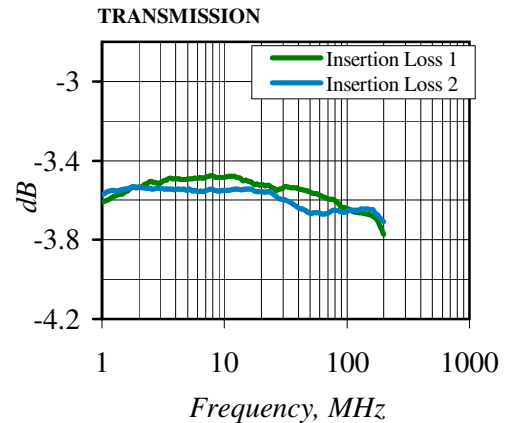
Ordering Information

Model No.	Package
HYB1-200-8-SMA	A5
HYB1-200-8-N	A3
HYB1-200-8-BNC	A3

Outline drawing (A5) dimensions in millimeters



Typical Performance



Specifications Subject To Change Without Notice