

FEATURES :

- **Wide Bandwidth**
- **Low Insertion Loss**
- **Tight phase and amplitude balance**

SPECIFICATIONS

Frequency Range, [MHz]	1 - 300
Insertion Loss, typ/max [dB] (above 3dB Split Loss)	0.8 / 1.0
Isolation, typ/min [dB]	25 / 20
Amplitude Balance, max [dB]	± 0.4
Phase Balance, max [degrees]	± 2
VSWR, max.	1.5 : 1

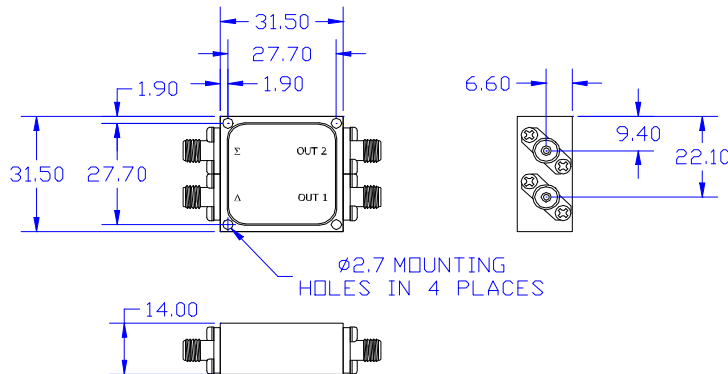
Operating Characteristics

Input Power, max. [mW] with matched loads	1000
Impedance, [Ohm]	50
Operating Temperature	-20°C to +70°C

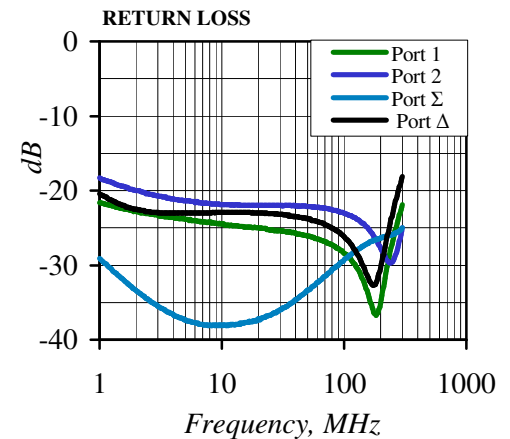
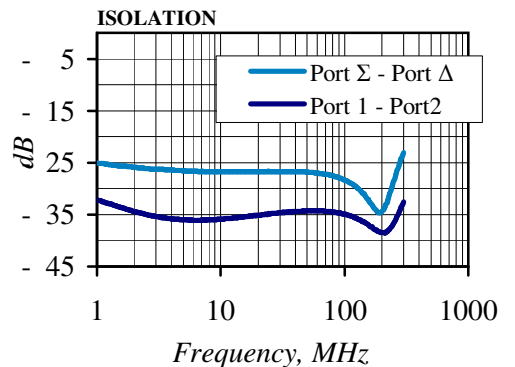
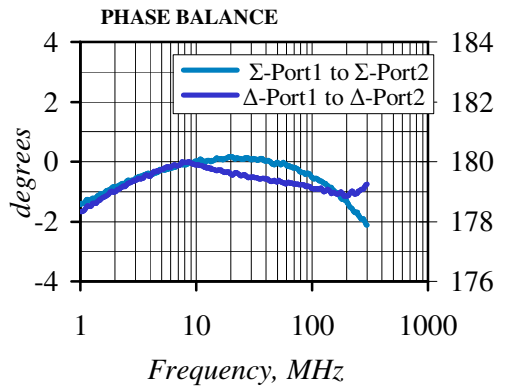
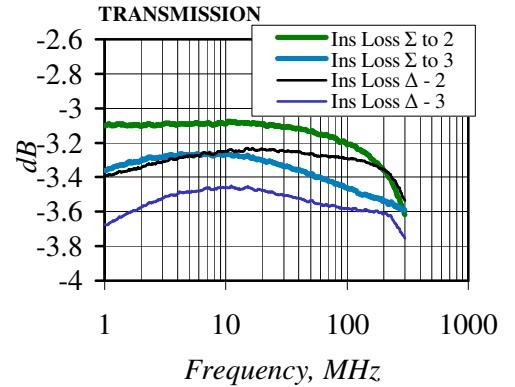
Ordering Information

Model No.	Package
HYB180-1-300-SMA	A7

Outline drawing dimensions in mm



Typical Performance



Specifications Subject To Change Without Notice