

### FEATURES :

- **High Power**
- **Broadband**
- **Low Insertion Loss**
- **Tight phase and amplitude balance**

### SPECIFICATIONS

Frequency Range, [MHz]	30-520
Insertion Loss*, typ/max [dB]	
30 - 300MHz	0.3 / 0.4
300 - 520MHz	0.6 / 0.8
Isolation, min [dB]	30
Amplitude Balance, typ/max [dB]	±0.2
Phase Balance, typ/max [degrees]	±2
VSWR, max [dB]	1.3:1

### Operating Characteristics

Input Power CW max. [W], total as a combiner, with matched loads	100
Input Power CW max. [W], as splitter with matched loads	200
Impedance, [Ohm]	50
Operating Temperature	-0°C to +60°C

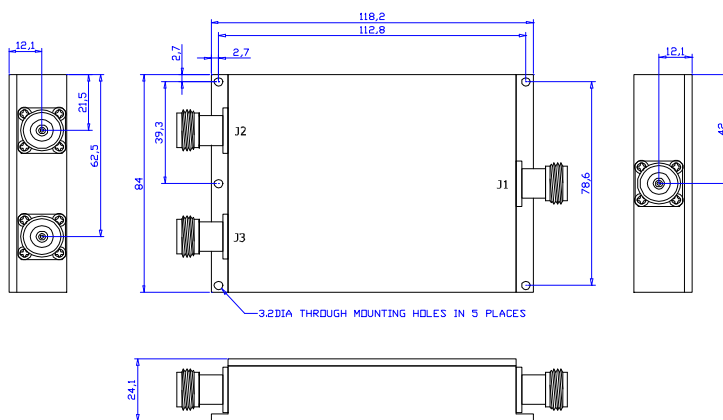
### Ordering Information

**Model No.**

**PD2-30-520-100**

### Outline drawing

dimensions in mm



\*Above Theoretical Split Loss

Specifications Subject To Change Without Notice

### Typical Performance

