

FEATURES :

- *Wide Bandwidth*
- *Low Insertion Loss*
- *Tight phase and amplitude balance*

SPECIFICATIONS

Frequency Range, [MHz]	600 - 6000
Insertion Loss, typ/max [dB] (above 3dB Split Loss)	0.8
Isolation, min [dB]	20
Amplitude Balance, typ/max [dB]	±0.3
Phase Balance, typ/max [degrees]	±5
Return Loss, max [dB]	-15

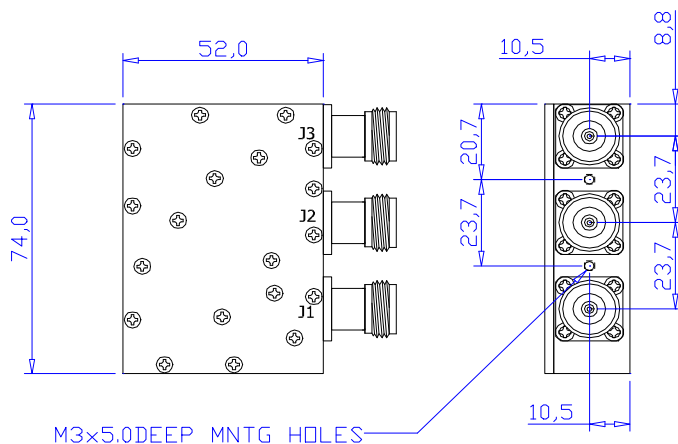
Operating Characteristics

Input Power CW max. [W], total as a combiner, with matched loads	1
Input Power CW max. [W], as splitter with matched loads	5
Impedance, [Ohm]	50
Operating Temperature	-20°C to +70°C

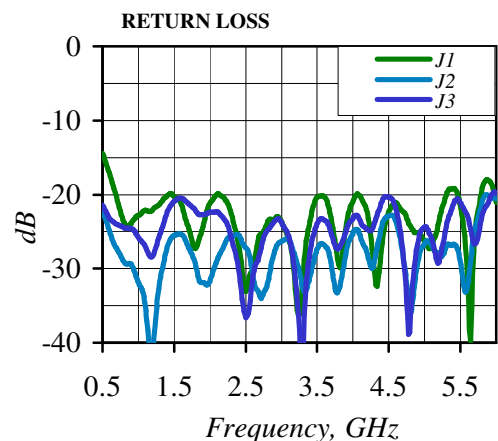
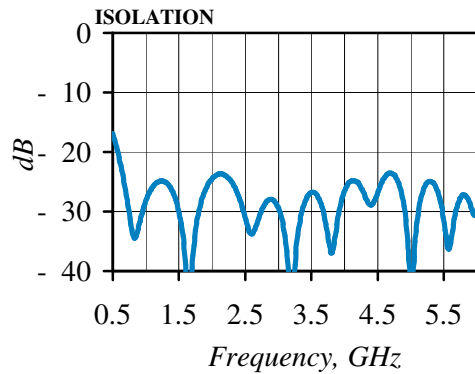
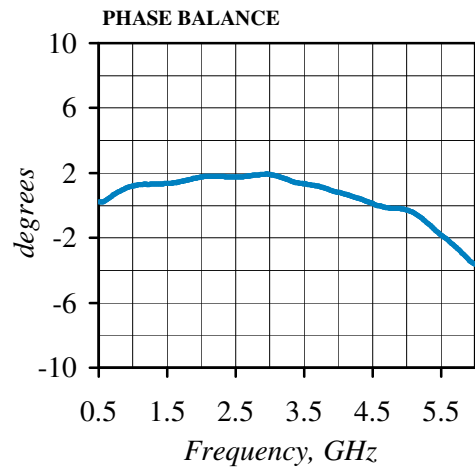
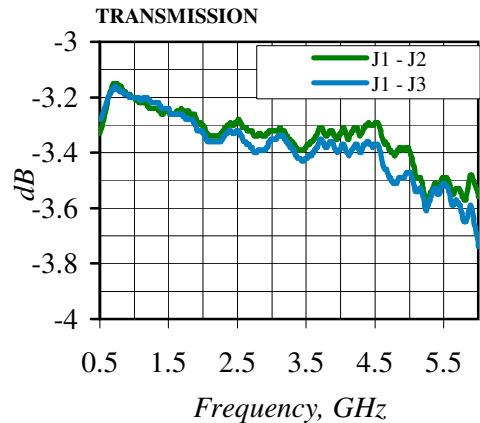
Ordering Information

Model No.	PD2-600-6000-N
------------------	-----------------------

Outline drawing dimensions in mm



Typical Performance



Specifications Subject To Change Without Notice