

FEATURES :

- **Wide Bandwidth**
- **Low Insertion Loss**
- **Tight phase and amplitude balance**

SPECIFICATIONS

Frequency Range, [MHz]	800 - 6000
Insertion Loss, typ/max [dB] (above 3dB Split Loss)	0.7
Isolation, min [dB]	18
Amplitude Balance, typ/max [dB]	±0.2
Phase Balance, typ/max [degrees]	±2
Return Loss, max [dB]	-15

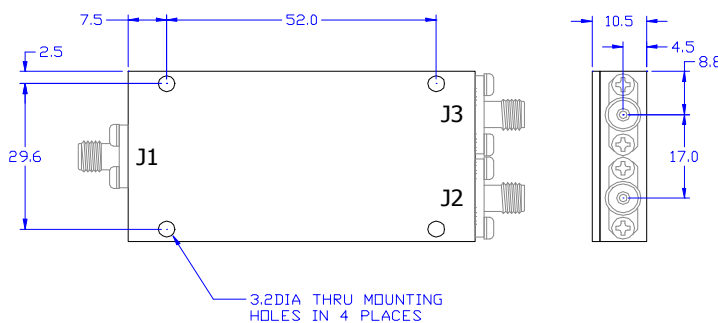
Operating Characteristics

Input Power CW max. [W], total as a combiner, with matched loads	1
Input Power CW max. [W], as splitter with matched loads	5
Impedance, [Ohm]	50
Operating Temperature	-20°C to +70°C

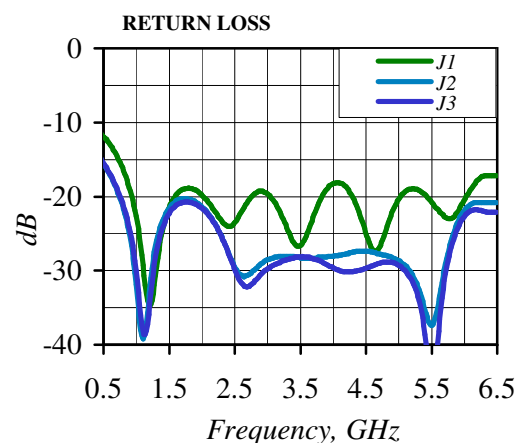
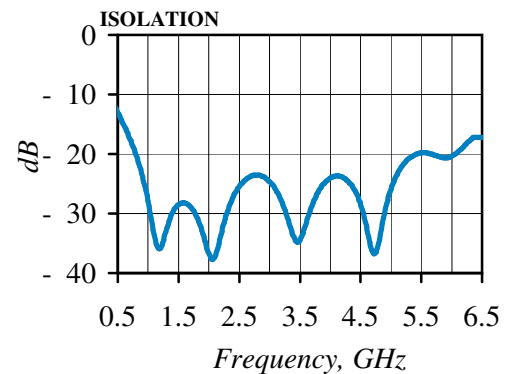
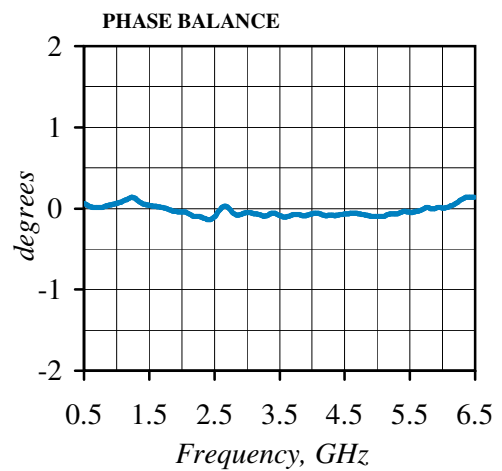
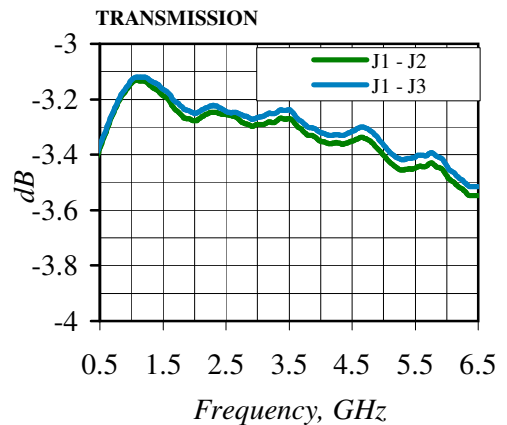
Ordering Information

Model No.
PD2-800-6000-SMA

Outline drawing dimensions in mm



Typical Performance



Specifications Subject To Change Without Notice