

FEATURES :

- *Ultra Wide Bandwidth*
- *Low Insertion Loss*
- *Tight Phase and Amplitude Balance*
- *Compact Size*

SPECIFICATIONS

Frequency Range, [MHz]	1 -500
Insertion Loss*, typ/max [dB]	
1-100MHz	0.6 / 0.7
100 - 500MHz	1.0 / 1.2
Isolation, min [dB]	22
Amplitude Balance, typ/max [dB]	±0.2
Phase Balance, typ/max [degrees]	±3
VSWR, max 5-200MHz	1.3:1
1 - 500MHz	1.4:1

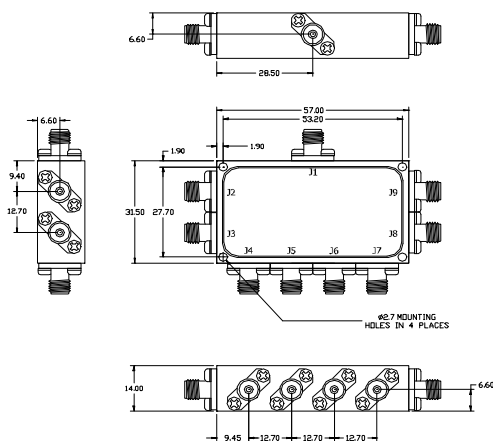
Operating Characteristics

Input Power CW max. [W], total as combiner, with matched loads	0.25
Input Power CW max. [W], as splitter with matched loads	1
Impedance, [Ohm]	50
Operating Temperature	-20°C to +70°C

Ordering Information

Model No.
PD8-1-500-SMA

Outline drawing dimensions in mm



* Above theoretical loss

Specifications Subject To Change Without Notice

Typical Performance

