

**FEATURES :**

- **Wide Bandwidth**
- **High Power**

**SPECIFICATIONS**

Frequency Range, [MHz]	100-2500
Insertion Loss, [dB] @1GHz	0.7
@2GHz	1.0
@2.5GHz	1.5
Isolation, [dB] 0.1 - 1GHz	25
1 - 2.5GHz	20
Return Loss, [dB] 0.1-1GHz	20
1 - 2.5GHz	15
Input 1dB C.P. min [dBm]	+35
Input IP <sup>3</sup> min [dBm]	+51

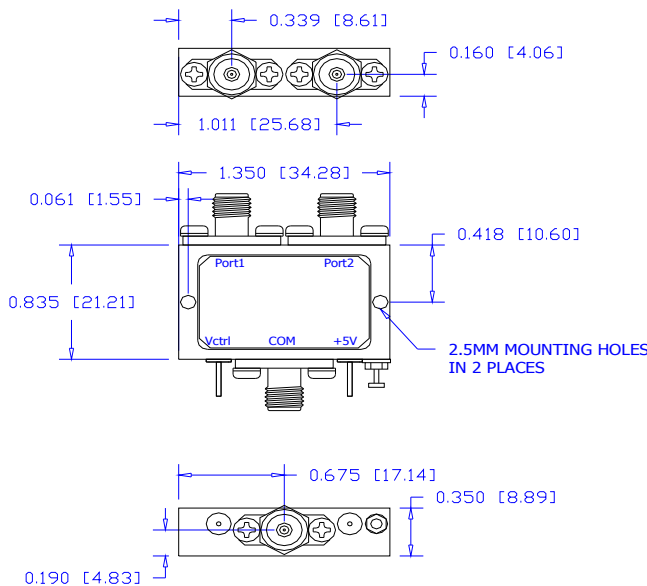
**Operating Characteristics**

Bias Supply voltage Vd, [V]	5
Control voltage Vc, [V]	0/5
Operating Temperature	0°C to +50°C
Impedance, [Ohm]	50

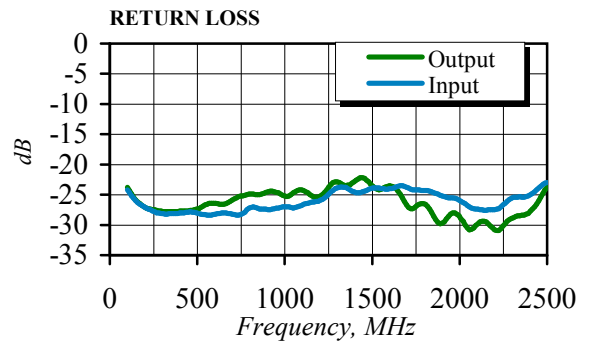
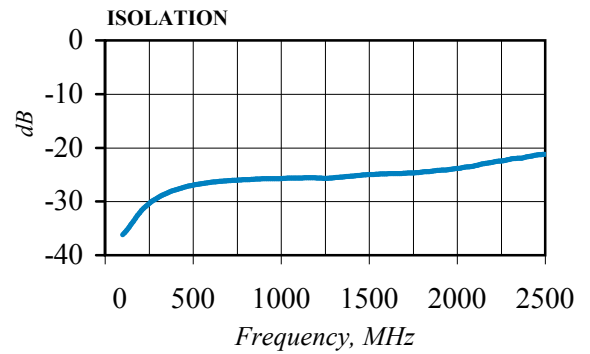
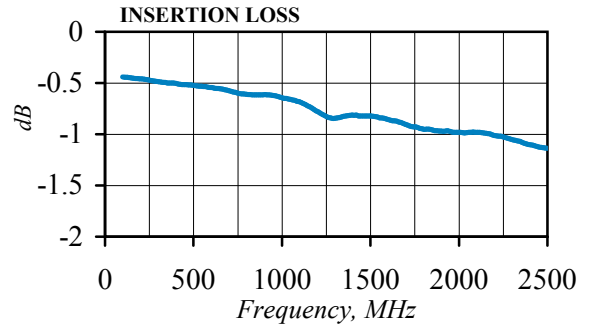
**Absolute Maximum Ratings**

Bias Voltage Range Vd, [V]	-0,2 to +12
Control voltage range Vc, [V]	-0,2 to Vd
Maximum input power, [dBm]	+38

**Outline drawing**                      dimensions in inches[mm]



**Typical Performance**



Truth table

Switch state	Vctrl	RFC to RF1	RFC to RF2
1	0	Ins.I	Iso
2	1	Iso	Ins.I

Specifications Subject To Change Without Notice