

FEATURES :

- **Wide Bandwidth**
- **Internally Terminated**
- **Integrated Control Logic**

SPECIFICATIONS

| | |
|---|---------|
| Frequency Range, [GHz] | 0.4 - 6 |
| Insertion Loss, [dB] @0.4 - 1GHz | 1.3 |
| @1.0 - 6.0GHz | 1.7 |
| Isolation, [dB] | 35 |
| VSWR all ports | 1.25:1 |
| Input 1dB C.P. min [dBm] 1.0 - 6.0 GHz | +23 |
| Input IP ³ min [dBm] 1.0 - 6.0 GHz | +37 |

Operating Characteristics

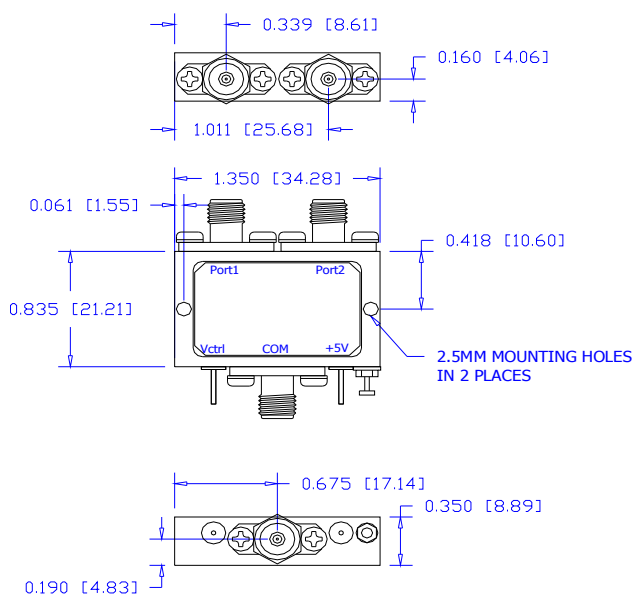
| | |
|-----------------------------|--------------|
| Bias Supply voltage Vd, [V] | 5 |
| Control voltage Vc, [V] | 0/5 |
| Operating Temperature | 0°C to +50°C |
| Impedance, [Ohm] | 50 |

Absolute Maximum Ratings

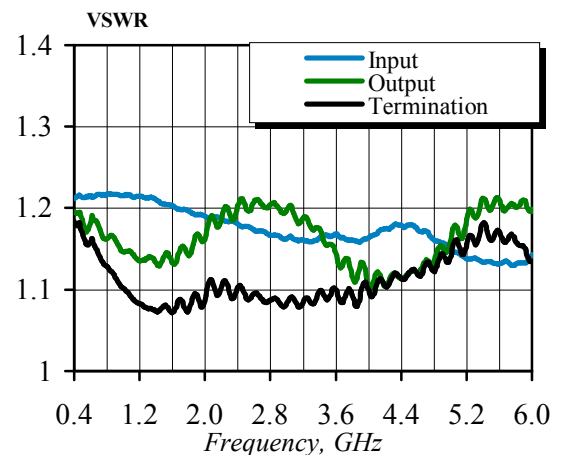
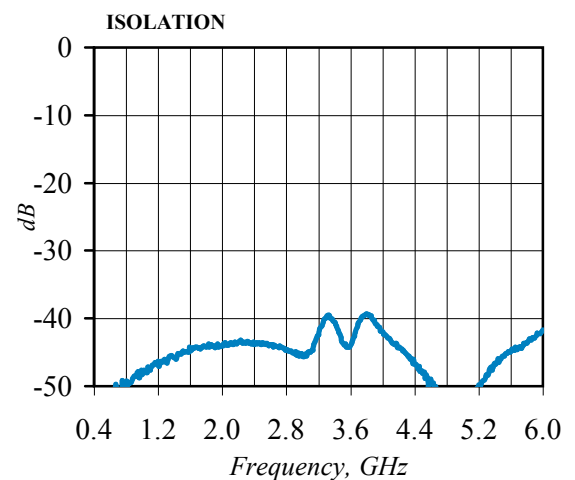
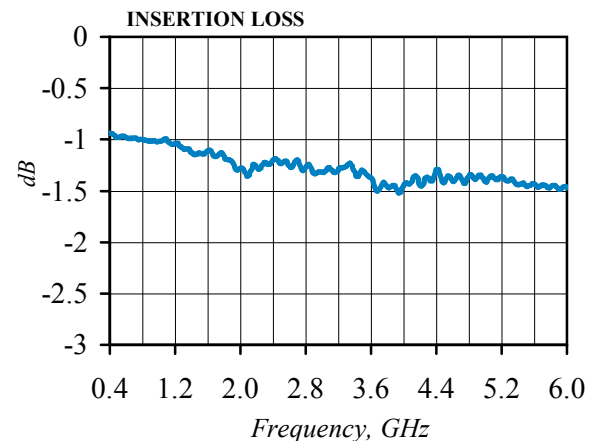
| | |
|-------------------------------|-------------|
| Bias Voltage Range Vd, [V] | 0 to +6.5 |
| Control voltage range Vc, [V] | -0,5 to 6.5 |
| Maximum input power, [dBm] | +27 |

Outline drawing

dimensions in inches [mm]



Typical Performance



Control Logic truth table

| Switch state | Vctrl | Com to Port1 | Com to Port2 |
|--------------|-------|--------------|--------------|
| 1 | 0 | Ins.I | Iso |
| 2 | 1 | Iso | Ins.I |

Specifications Subject To Change Without Notice