

FEATURES :

- *Ultra-wide Bandwidth*
- *Low Insertion Loss*
- *Tight phase and amplitude balance*

SPECIFICATIONS

Frequency Range, [MHz]	0.01 - 2
Insertion Loss, typ/max [dB] (above 3dB Split Loss)	0.9 / 1.2
Isolation, min [dB]	30
Amplitude Balance, max [dB]	±0.3
Phase Balance, max [degrees]	±1
VSWR	1.3 : 1

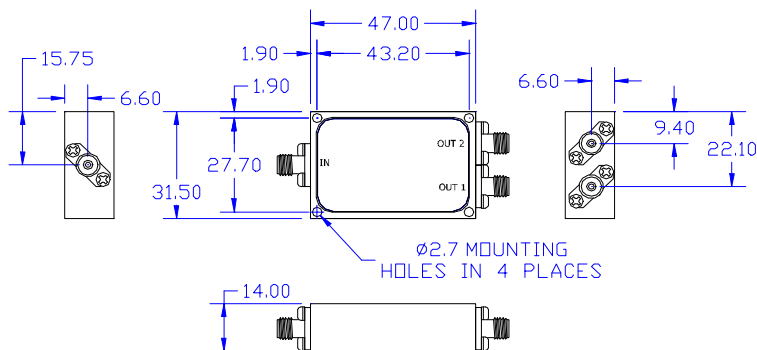
Operating Characteristics

Input Power, max. [mW] with matched loads	1000
Impedance, [Ohm]	50
Operating Temperature	-20°C to +70°C

Ordering Information

Model No.	Package
HYB001-2-8-SMA	A5
HYB001-2-8-N	A3
HYB001-2-8-BNC	A3
HYB001-2-8-D	A5D ¹

Outline drawing(A5) dimensions in mm



¹A5D is drop-in version of the A5 package. Connector type for A5D is field replaceable SMA.

Typical Performance

