

## FEATURES :

- *Ultra-wide Bandwidth*
- *Low Insertion Loss*
- *Tight phase and amplitude balance*

## SPECIFICATIONS

Frequency Range, [MHz]	0.05 - 100
Insertion Loss, typ/max [dB] (above 3dB Split Loss)	0.6 / 0.8
Isolation, min [dB]	25
Amplitude Balance, max [dB]	±0.3
Phase Balance, typ/max [degrees]	±3 / ±4
VSWR	1.5 : 1

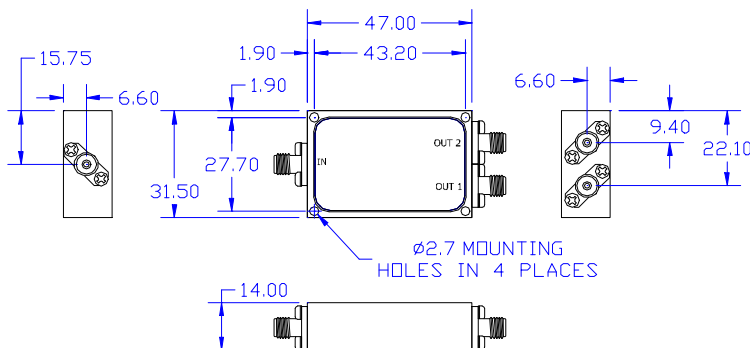
## Operating Characteristics

Input Power, max. [mW] with matched loads	1000
Impedance, [Ohm]	50
Operating Temperature	-20°C to +70°C

## Ordering Information

Model No.	Package
HYB005-100-8-SMA	A5
HYB005-100-8-N	A3
HYB005-100-8-BNC	A3
HYB005-100-8-D	A5D <sup>1</sup>

## Outline drawing(A5) dimensions in inches



<sup>1</sup>A5D is drop-in version of the A5 package. Connector type for A5D is field replaceable SMA.

Specifications Subject To Change Without Notice

## Typical Performance

