

### FEATURES :

- *Ultra-wide Bandwidth*
- *Low Insertion Loss*
- *Tight phase and amplitude balance*

### SPECIFICATIONS

Frequency Range, [MHz]	0.1 - 10
Insertion Loss, typ/max [dB] (above 3dB Split Loss)	0.4 / 0.5
Isolation, typ/min [dB]	40 / 35
Amplitude Balance, typ/max [dB]	±0.1 / ±0.2
Phase Balance, typ/max [degrees]	±2 / ±3
VSWR	1.2 : 1

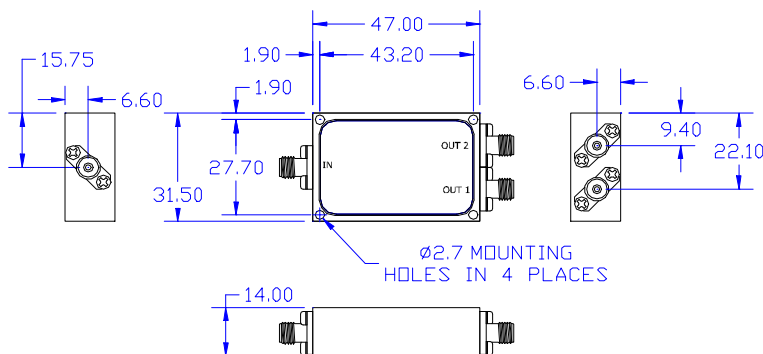
### Operating Characteristics

Input Power, max. [mW] with matched loads	1000
Impedance, [Ohm]	50
Operating Temperature	-20°C to +70°C

### Ordering Information

Model No.	Package
HYB01-10-6-SMA	A5, A2
HYB01-10-6-N	A3
HYB01-10-6-BNC	A3
HYB01-10-6-D	A5D <sup>1</sup>

Outline drawing(A2) dimensions in inches



<sup>1</sup>A5D is drop-in version of the A5 package. Connector type for A5D is field replaceable SMA.

### Typical Performance

