

FEATURES :

- *Ultra-wide Bandwidth*
- *Low Insertion Loss*
- *Tight phase and amplitude balance*

SPECIFICATIONS

Frequency Range, [MHz]	1 - 300
Insertion Loss, typ/max [dB] (above 3dB Split Loss)	0.9 / 1.2
Isolation, min [dB]	20
Amplitude Balance, typ/max [dB]	±0.4 / ±0.5
Phase Balance, typ/max [degrees]	±5 / ±6
VSWR	1.5 : 1

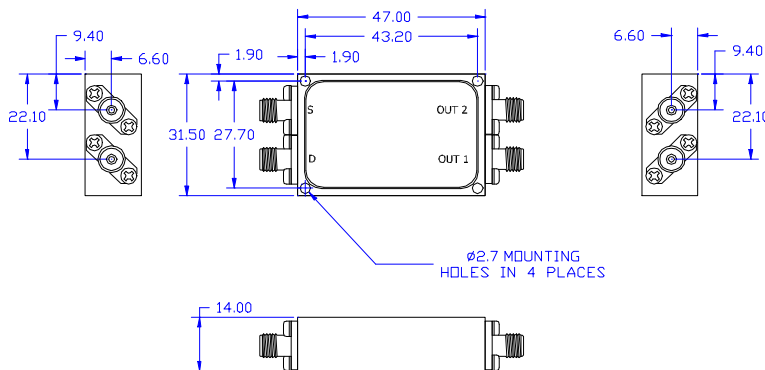
Operating Characteristics

Input Power, max. [mW] with matched loads	1000
Impedance, [Ohm]	50
Operating Temperature	-20°C to +70°C

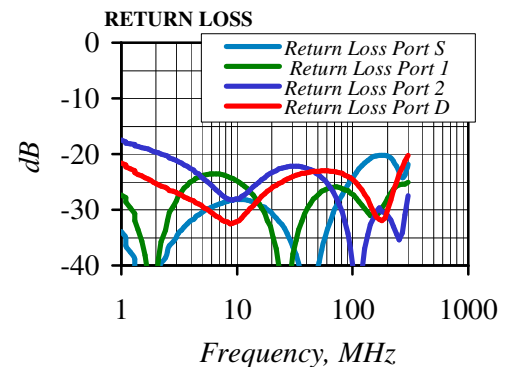
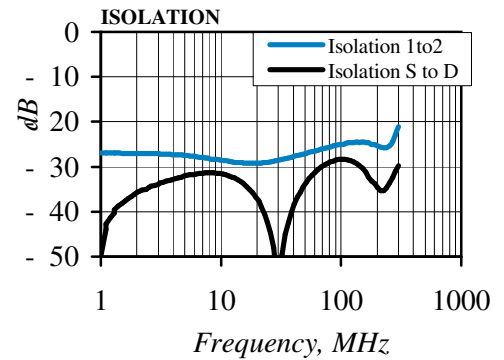
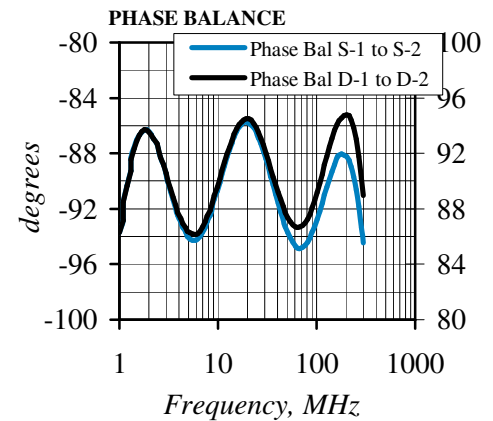
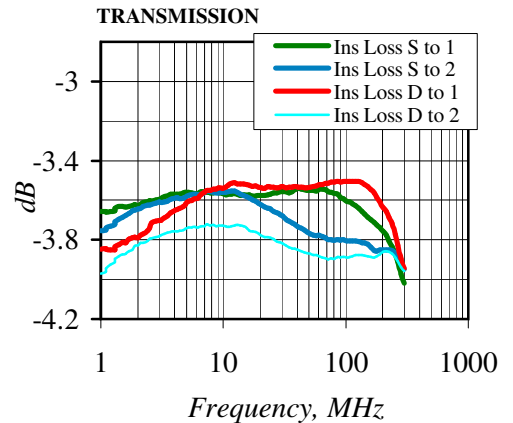
Ordering Information

Model No.	Package
HYBQ1-300-6-SMA	A5B

Outline drawing(A5B) dimensions in mm



Typical Performance



Specifications Subject To Change Without Notice