

FEATURES :

- *High Linearity*
- *Low Conversion Loss*
- *High Image Rejection*

SPECIFICATIONS

| | |
|---------------------------------|--------------|
| RF Frequency Range, [GHz] | 14 - 20 |
| LO Frequency Range, [GHz] | 14 - 20 |
| IF Frequency Range, [MHz] | octave bands |
| Conversion Loss, max [dB] | 7.5 |
| Image Rejection, min [dB] | 25 |
| VSWR RF port, max | 3.0 : 1 |
| LO port, max | 3.0 : 1 |
| IF Port, max | 1.2 : 1 |
| Isolation LO - RF, min [dB] | 40 |
| LO - IF, min [dB] | 30 |
| RF - IF, min [dB] | 30 |
| LO Power typ. [dBm] | 15±1 |
| Input 1dB C.P. min [dBm] | +12 |
| Input IP ³ min [dBm] | +22 |
| Impedance, [Ohm] | 50 |

Maximum Ratings

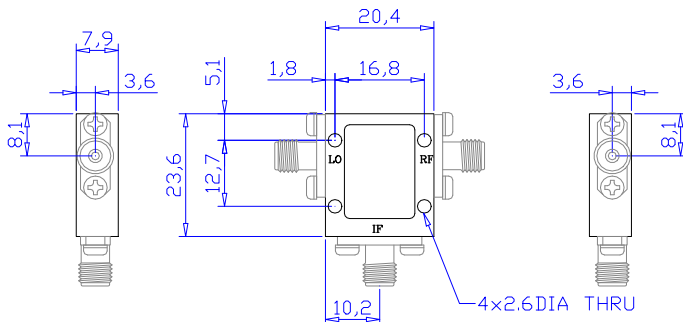
| | |
|-----------------------|-----------------|
| RF Input Power, [dBm] | 20 |
| LO Power, [dBm] | 27 |
| Operating Temperature | -40°C to +85°C |
| Storage Temperature | -40°C to +125°C |

Ordering Information

| Model No. | IF Frequency, MHz |
|-----------------|-------------------|
| IRM14000-20000A | 7 to 14 |
| IRM14000-20000B | 10 to 20 |
| IRM14000-20000C | 20 to 40 |
| IRM14000-20000D | 40 to 80 |
| IRM14000-20000E | 55 to 110 |
| IRM14000-20000F | 100 to 200 |

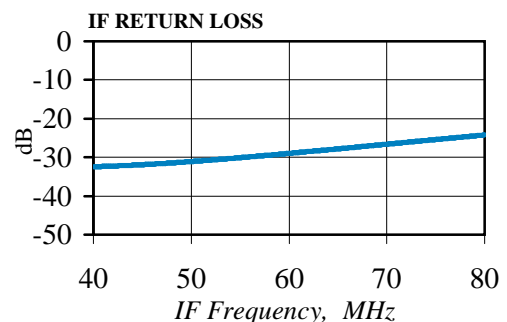
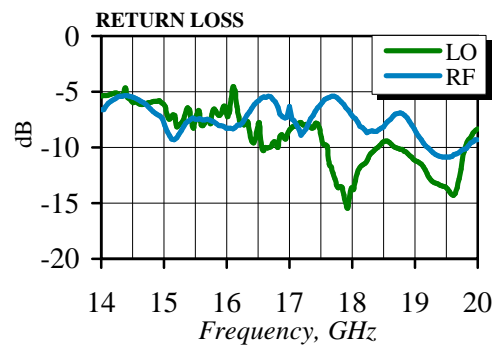
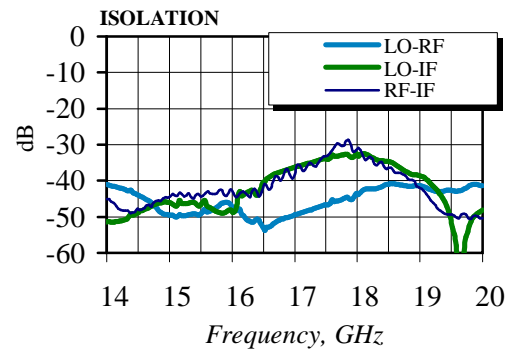
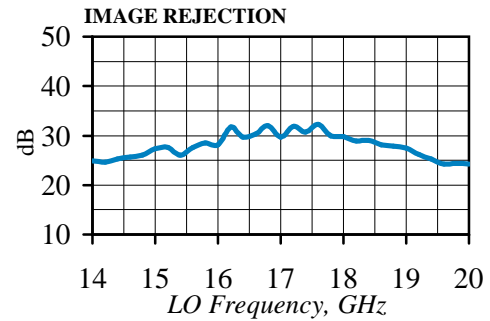
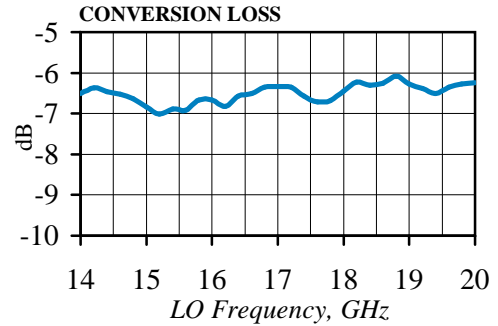
Outline drawing

dimensions in mm



Specifications Subject To Change Without Notice

Typical Performance



All parameters measured at LO Frequency 17GHz and LO power +15dBm @ +25°C