

FEATURES :

- *High Linearity*
- *Low Conversion Loss*
- *High Image Rejection*

SPECIFICATIONS

RF Frequency Range, [GHz]	6 - 10
LO Frequency Range, [GHz]	6 - 10
IF Frequency Range, [MHz]	octave bands
Conversion Loss, max [dB]	7.5
Image Rejection, min [dB]	25
VSWR RF port, max	3.0 : 1
LO port, max	2.5 : 1
IF Port, max	1.2 : 1
Isolation LO - RF, min [dB]	25
LO - IF, min [dB]	30
RF - IF, min [dB]	40
LO Power typ. [dBm]	15±1
Input 1dB C.P. min [dBm]	+12
Input IP ³ min [dBm]	+22
Impedance, [Ohm]	50

Maximum Ratings

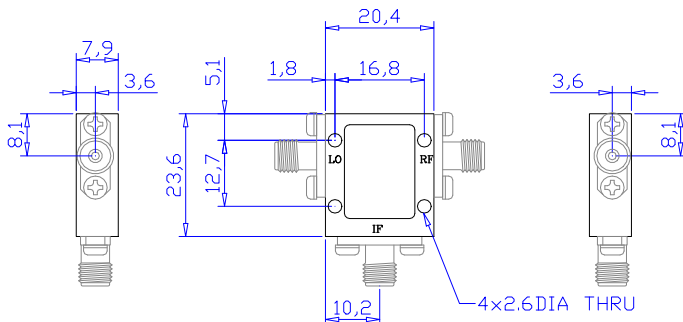
RF Input Power, [dBm]	20
LO Power, [dBm]	27
Operating Temperature	-40°C to +85°C
Storage Temperature	-40°C to +125°C

Ordering Information

Model No.	IF Frequency, MHz
IRM6000-10000A	7 to 14
IRM6000-10000B	10 to 20
IRM6000-10000C	20 to 40
IRM6000-10000D	40 to 80
IRM6000-10000E	55 to 110
IRM6000-10000F	100 to 200

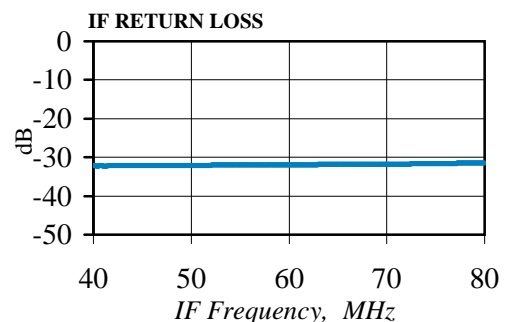
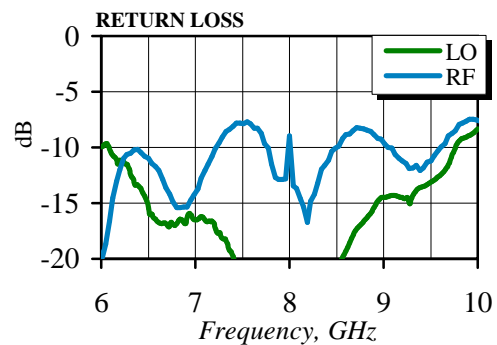
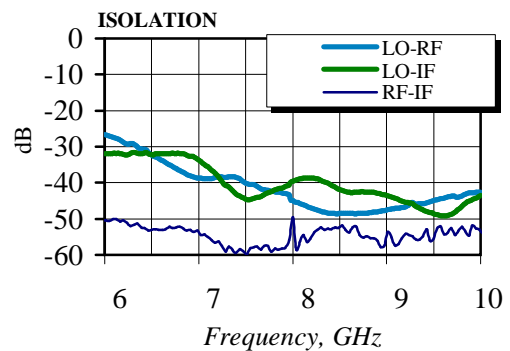
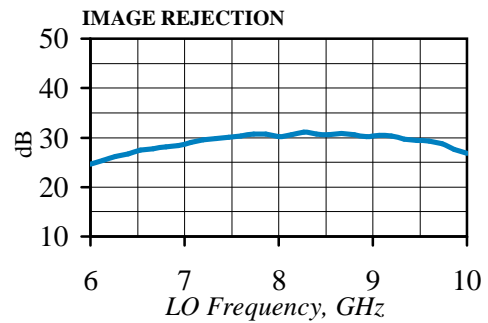
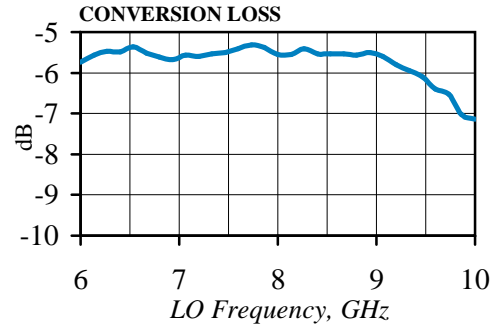
Outline drawing

dimensions in mm



Specifications Subject To Change Without Notice

Typical Performance



All parameters measured at LO Frequency 8GHz and LO power +15dBm @ +25°C