

**FEATURES :**

- Frequency range 0.01 - 100 MHz
- 36 dB gain
- Noise figure 1dB
- Output power at 1dB compression 10dBm
- Internally regulated
- Unconditionally stable

**SPECIFICATIONS @+25°C**

Frequency range, [MHz] min.	0.01 - 100
Gain [dB], min.	35
Gain flatness [dB], max.	+/-1
Noise figure, [dB], typ.	1.0
Output 1dB c.p.[dBm] typ./min.	+10
Output IP3 [dBm], typ.	+25
VSWR, IN/OUT max.	1.5/1.3:1

**Operating Characteristics**

Supply voltage, [V]	+12
Supply current, [mA] typ.	65
Impedance, [Ohm]	50
Operating temperature, [°C]	-20 to +60

**Absolute maximum Ratings**

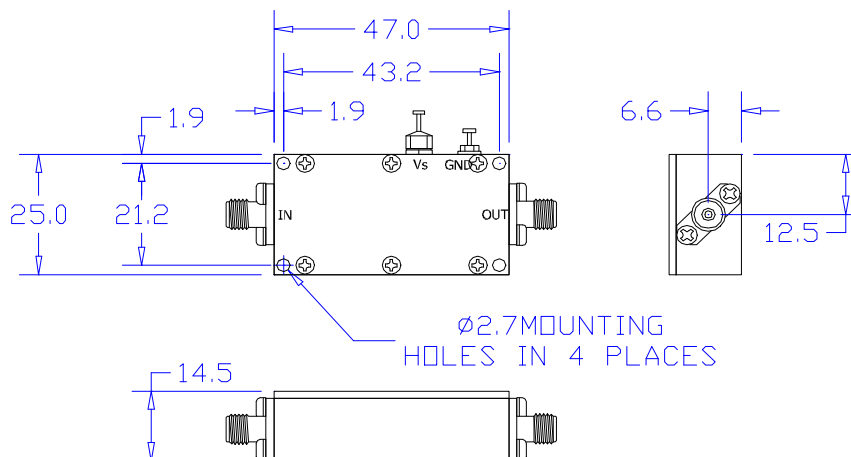
RF input power, CW [dBm]	+10
Supply voltage, [V]	±20
Storage temperature, [°C]	-55 to +150

**Ordering information**

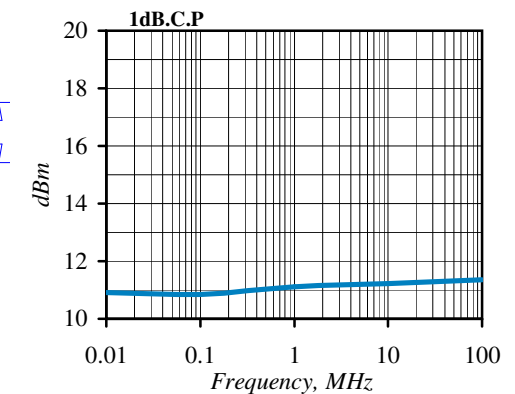
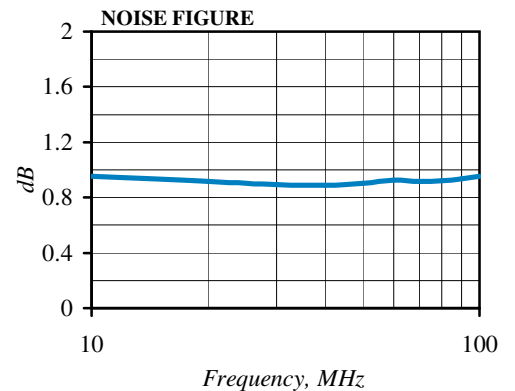
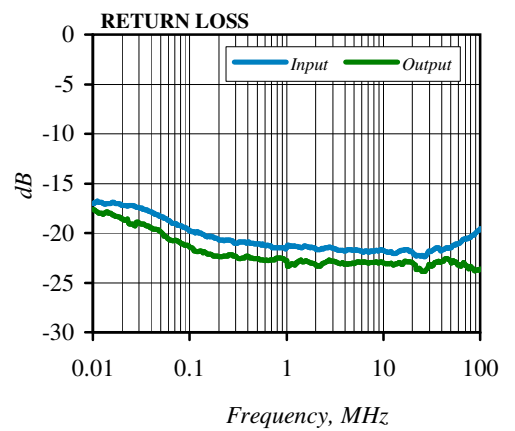
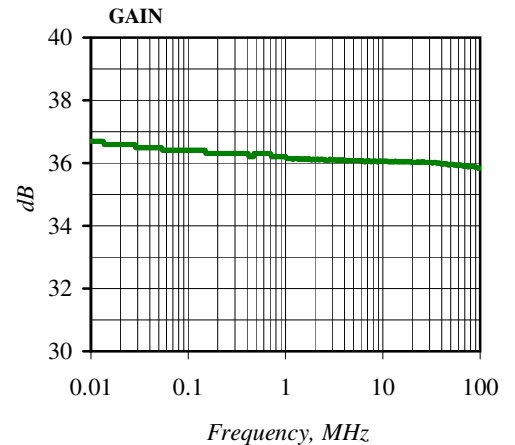
Model No.	Connectors
AL001-100-10B	SMA-female

**Outline drawing**

dimensions in mm



**Typical Performance**



Specifications Subject To Change Without Notice