

FEATURES :

- Frequency range 0.01-200MHz
- Gain 56dB
- Output power at 1dB compression +13dBm
- Limiter Protected Input
- Supply voltage +12V

SPECIFICATIONS @+25°C

Frequency range, [MHz]	0.01 - 200
Gain [dB], typ./min.	58 / 56
Gain flatness [dB], max.	±0.5
Noise Figure [dB] max.	1.2
Output 1dB c.p.[dBm] min.	+13
VSWR, typ./max.	1.5:1 / 2.0:1
Operating Characteristics	
Supply voltage, [V]	+12
Supply current, [mA] max.	75
Impedance, Input / Output [Ohm]	50
Operating temperature, [°C]	-20 to +60

Absolute maximum Ratings

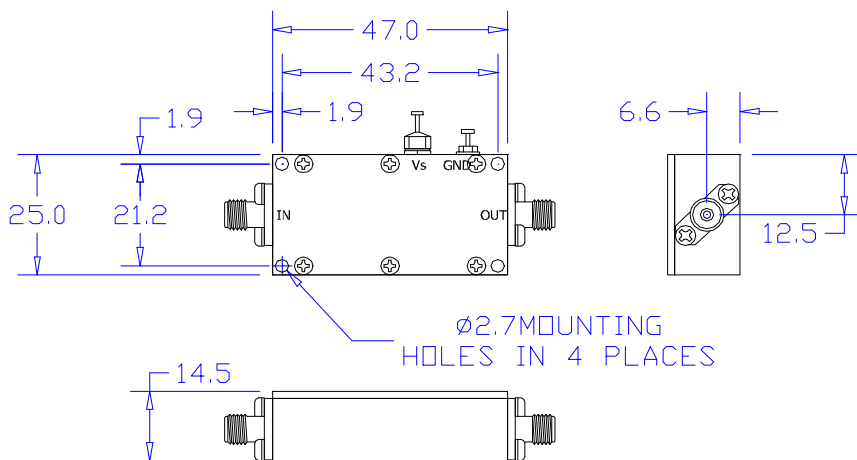
RF input power, CW [dBm]	+30
Supply voltage, [V]	+20
Storage temperature, [°C]	-55 to +150

Ordering information

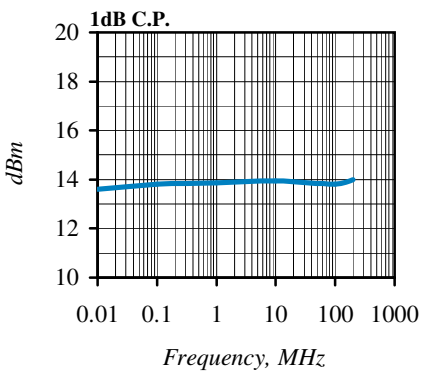
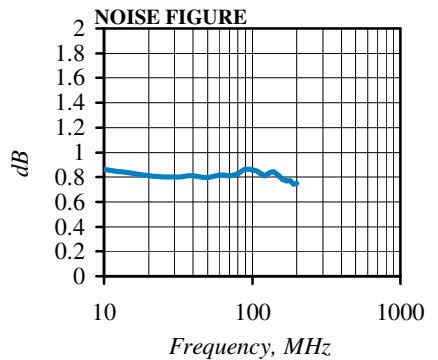
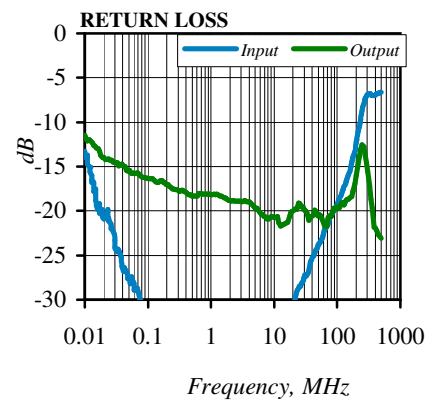
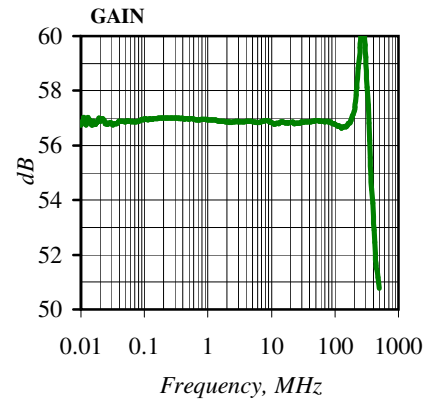
Model No.	Connectors In/Out
AL001-200-13	SMA-female

Outline drawing

dimensions in mm



Typical Performance



Specifications Subject To Change Without Notice

