

FEATURES :

- Frequency range 0.05 - 50 MHz
- 31 dB gain
- Noise figure 0.5dB
- Output power at 1dB compression 18dBm
- Internally regulated
- Unconditionally stable

SPECIFICATIONS @+25°C

Frequency range, [MHz] min.	0.05 - 50
Gain [dB], min.	30
Gain flatness [dB], max.	+/-1
Noise figure. [dB], typ.	0.5
Output 1dB c.p.[dBm] typ./min.	+17
Output IP3 [dBm], typ.	+25
2 nd harmonic @0dBm Pout [dBc], typ.	-40
VSWR, IN/OUT max.	2.0/1.7:1

Operating Characteristics

Supply voltage, [V]	+12
Supply current, [mA] typ.	80
Impedance, [Ohm]	50
Operating temperature, [°C]	-20 to +60

Absolute maximum Ratings

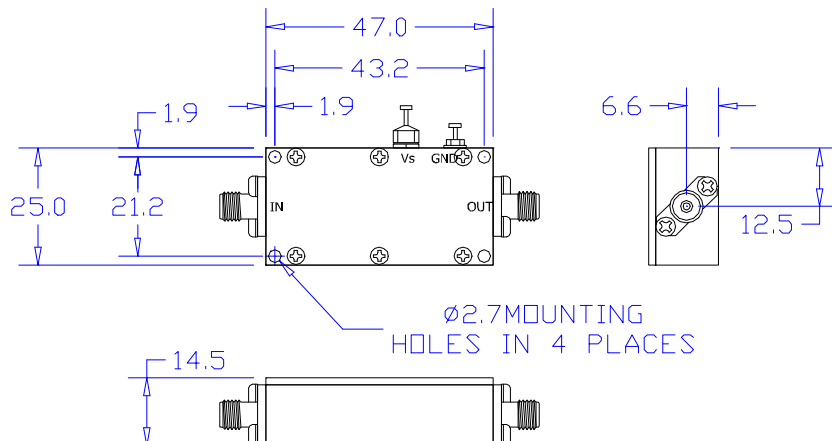
RF input power, CW [dBm]	+10
Supply voltage, [V]	±20
Storage temperature, [°C]	-55 to +150

Ordering information

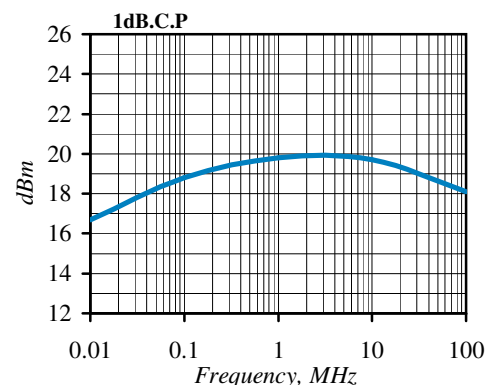
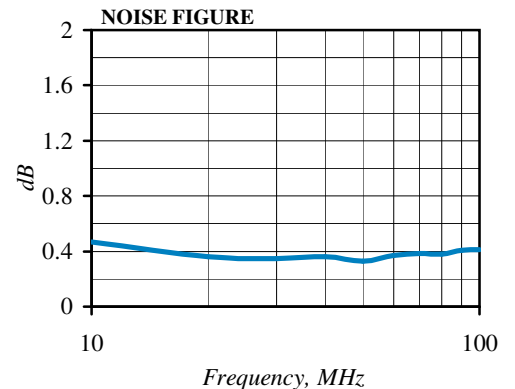
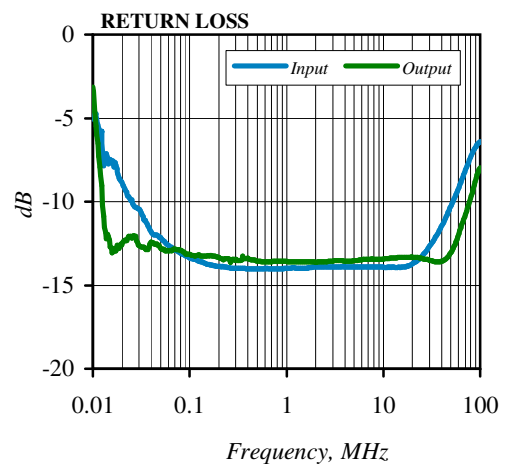
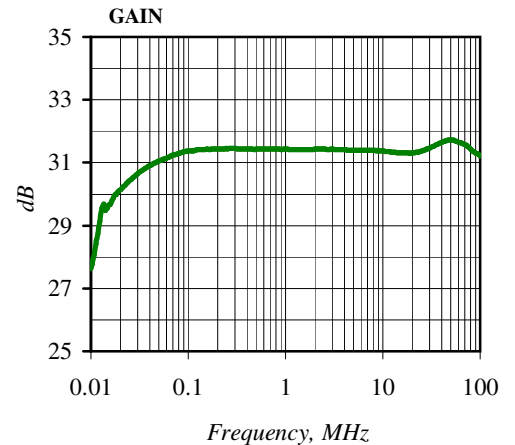
Model No.	Connectors
AL005-50-15B	SMA-female

Outline drawing

dimensions in mm



Typical Performance



Specifications Subject To Change Without Notice