

FEATURES :

- Frequency range 0.1 - 100 MHz
- 43dB gain
- Noise figure 1dB
- Output power at 1dB compression 13dBm
- Internally regulated
- Unconditionally stable

SPECIFICATIONS @+25°C

Frequency range, [MHz] min.	0.1 - 100
Gain [dB], min.	43
Gain flatness [dB], max.	+/-0.5
Noise figure. [dB], TYP.	1.0
Output 1dB c.p.[dBm] min.	+13
Output IP3 [dBm], typ.	+25
VSWR, IN/OUT max.	1.5/1.3:1

Operating Characteristics

Supply voltage, [V]	+12
Supply current, [mA] typ.	80
Impedance, [Ohm]	50
Operating temperature, [°C]	-20 to +60

Absolute maximum Ratings

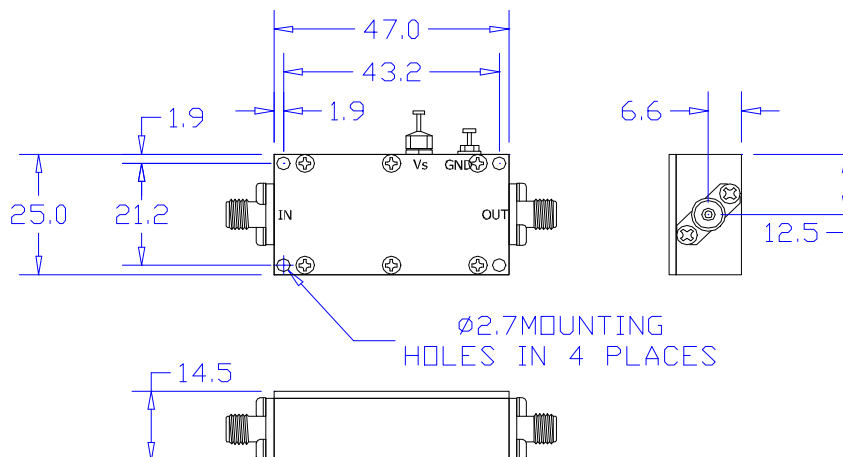
RF input power, CW [dBm]	+10
Supply voltage, [V]	±20
Storage temperature, [°C]	-55 to +150

Ordering information

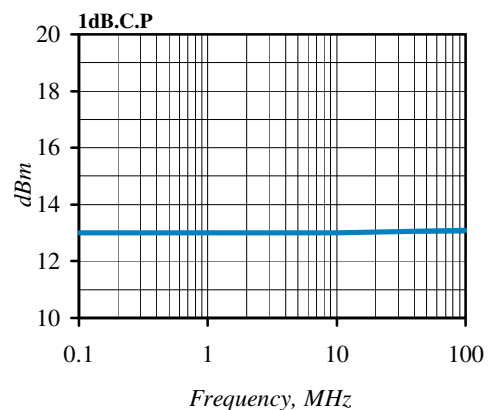
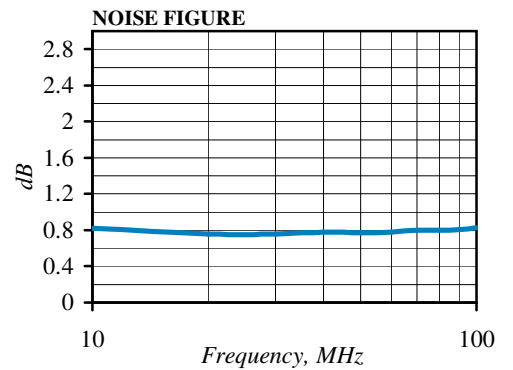
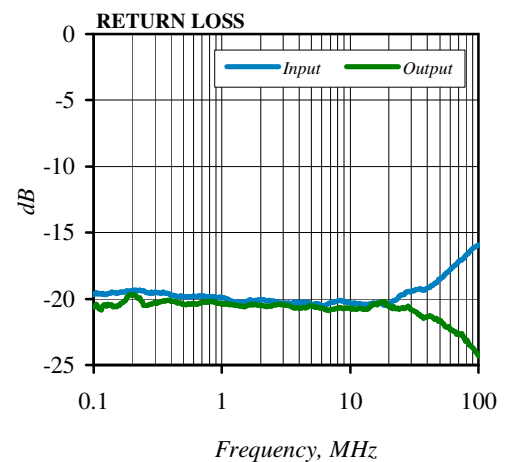
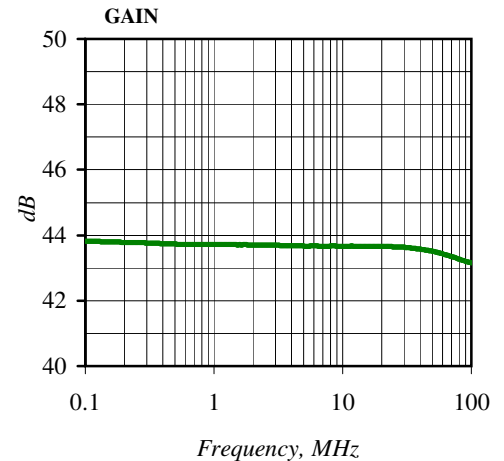
Model No.	Connectors
AL01-100-13	SMA-female

Outline drawing

dimensions in mm



Typical Performance



Specifications Subject To Change Without Notice