

FEATURES :

- Frequency range 1-500MHz
- Gain 37dB
- Output power at 1dB compression +20dBm
- Supply voltage +15V

SPECIFICATIONS @+25°C

Frequency range, [MHz]	1 - 500
Gain [dB], typ./min.	37 / 35
Gain flatness [dB], max.	±0.5
Noise Figure [dB] max.	1.1
Output 1dB c.p.[dBm] typ./min.	+19 / +17
VSWR, max.	2.0:1

Operating Characteristics

Supply voltage, [V]	+10 to +15
Supply current, [mA] typ.	135
Impedance, Input / Output [Ohm]	50
Operating temperature, [°C]	-20 to +60

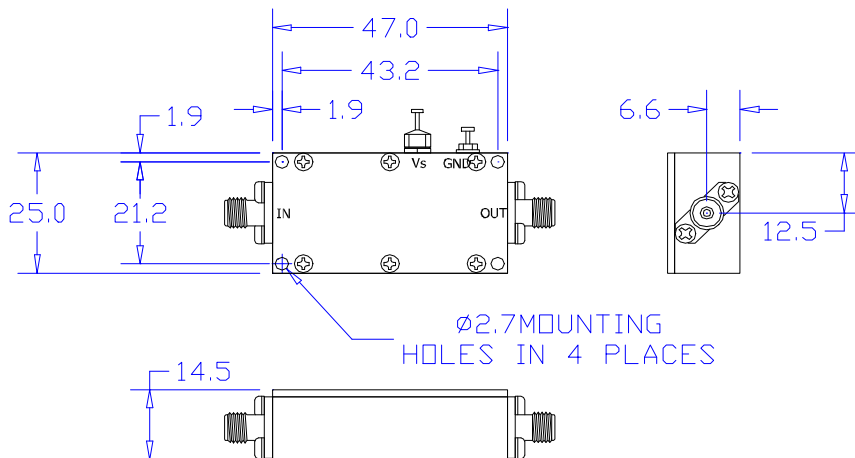
Absolute maximum Ratings

RF input power, CW [dBm]	+10
Supply voltage, [V]	+20
Storage temperature, [°C]	-55 to +150

Ordering information

Model No.	Connectors In/Out
AL1-500-17-SMA	SMA-female

Outline drawing dimensions in mm



Specifications Subject To Change Without Notice

Typical Performance

