

**FEATURES :**

- Frequency range 1500-2300MHz
- 35dB gain
- Noise figure 1dB
- Output power at 1dB compression 13dBm
- Internally regulated
- Unconditionally stable

**SPECIFICATIONS @+25°C**

Frequency range, [MHz] min.	1500 - 2300
Gain [dB], min.	35
Gain flatness [dB], max.	+/-1.0
Noise figure. [dB], max.	1.0
Output 1dB c.p.[dBm] typ./min.	+13 / +10
Output IP3 [dBm], typ.	+25
VSWR, IN/OUT max.	1.7/1.5:1

**Operating Characteristics**

Supply voltage, [V]	+6 to +15
Supply current, [mA] typ.	130
Impedance, [Ohm]	50
Operating temperature, [°C]	-20 to +60

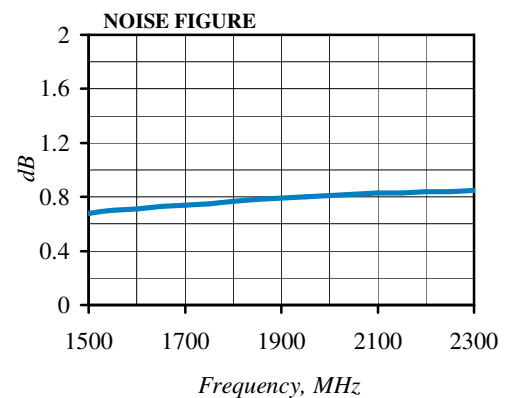
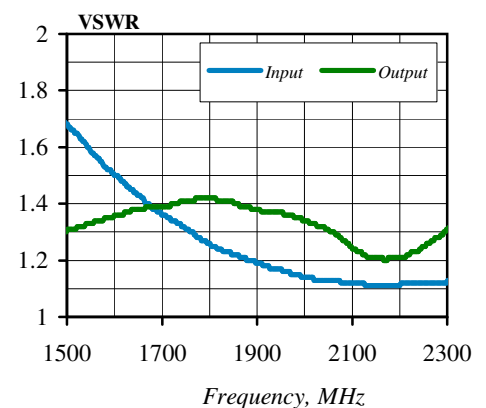
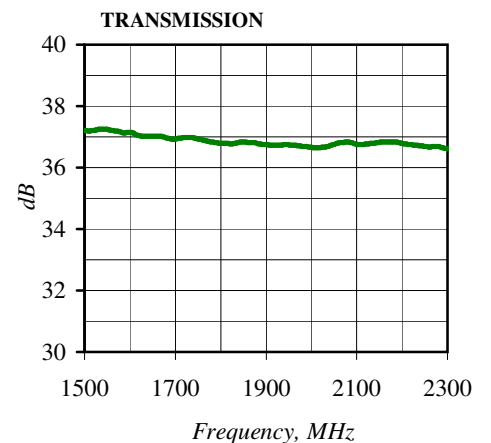
**Absolute maximum Ratings**

RF input power, CW [dBm]	+20
Supply voltage, [V]	+20
Storage temperature, [°C]	-55 to +150

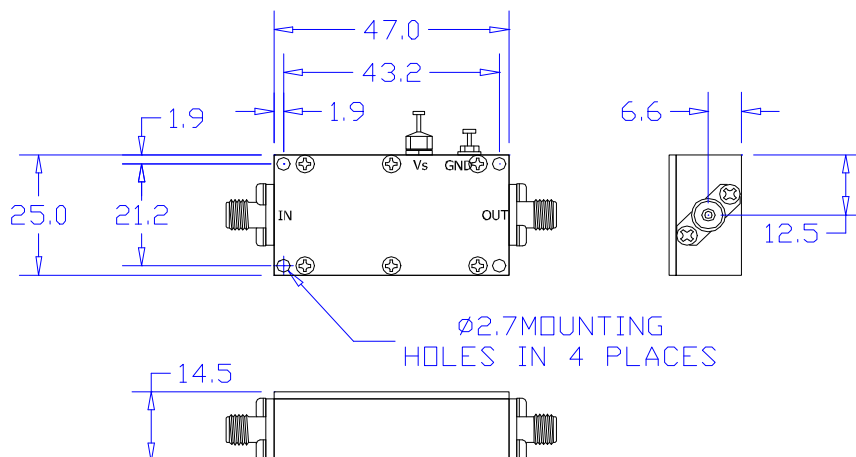
**Ordering information**

Model No.	Connectors
AL1500-2300-10	SMA-female

**Typical Performance**



**Outline drawing** dimensions in mm



Specifications Subject To Change Without Notice