

**FEATURES :**

- Frequency range 2000-4000MHz
- 40dB gain
- Noise figure 1dB
- Output power at 1dB compression 16dBm
- Internally regulated
- Unconditionally stable

**SPECIFICATIONS @+25°C**

Frequency range, [MHz] min.	2000 - 4000
Gain [dB], min.	40
Gain flatness [dB], max.	+/-1.0
Noise figure, [dB], typ / max.	0.8 / 1.0
Output 1dB c.p.[dBm] typ./min.	+18 / +15
Output IP3 [dBm], typ / min	+28 / +26
VSWR, IN/OUT max.	2.0 / 1.5:1

**Operating Characteristics**

Supply voltage, [V]	+6 to +15
Supply current, [mA] typ.	110
Impedance, [Ohm]	50
Operating temperature, [°C]	-20 to +60

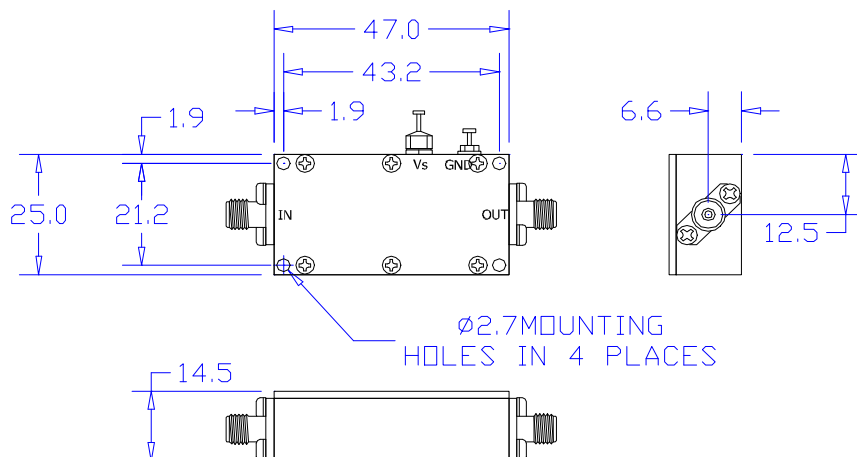
**Absolute maximum Ratings**

RF input power, CW [dBm]	+20
Supply voltage, [V]	+20
Storage temperature, [°C]	-55 to +150

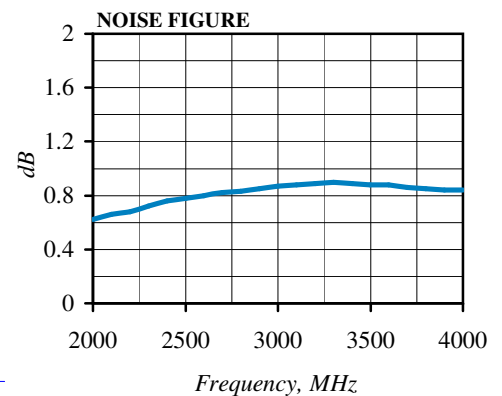
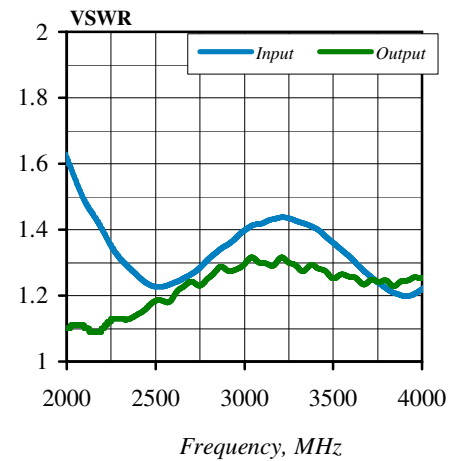
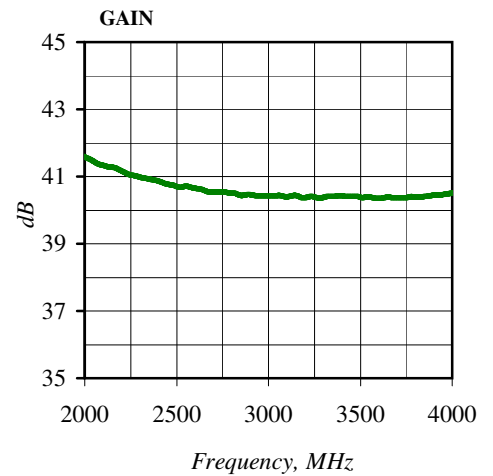
**Ordering information**

Model No.	Connectors
AL2000-4000-10	SMA-female

**Outline drawing** dimensions in mm



**Typical Performance**



Specifications Subject To Change Without Notice