

FEATURES :

- Noise figure 1.2dB
- Frequency range 3000-7000MHz
- Gain 38-40dB
- Output power at 1dB compression +18dBm

SPECIFICATIONS @+25°C

Frequency range, [MHz]	3000 - 7000
Gain [dB], typ. @ 3 - 5 GHz	38 - 40
Gain [dB], typ. @ 7 GHz	35
Noise figure. [dB], max @ 3 - 5 GHz	1.0
Noise figure. [dB], max @ 7 GHz	1.5
Output 1dB c.p.[dBm] typ.	18
VSWR, typ/max	1.5/2.0:1
Operating Characteristics	
Supply voltage, [V]	+12
Supply current, [mA]	110
Impedance, Input / Output [Ohm]	50
Operating temperature, [°C]	-20 to +85

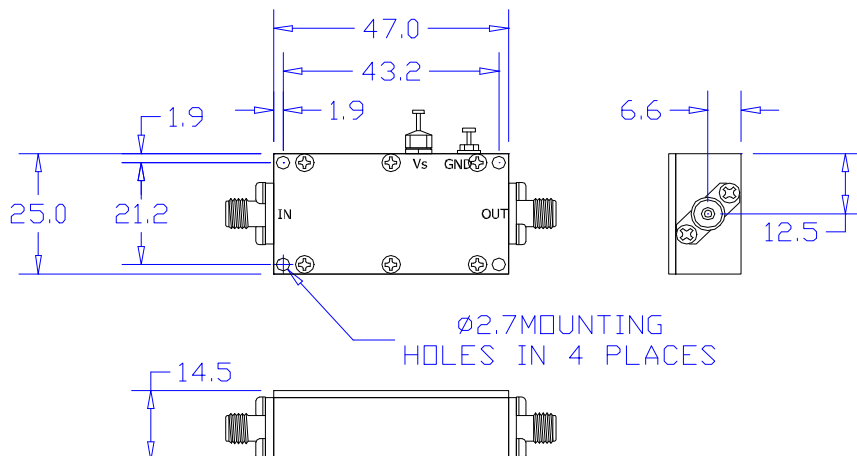
Absolute maximum Ratings

RF input power, CW [dBm]	
Supply voltage, [V]	+12
Storage temperature, [°C]	-55 to +150

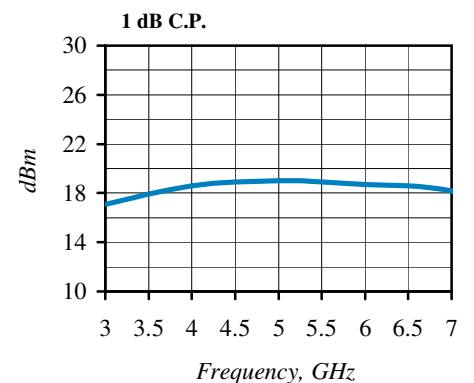
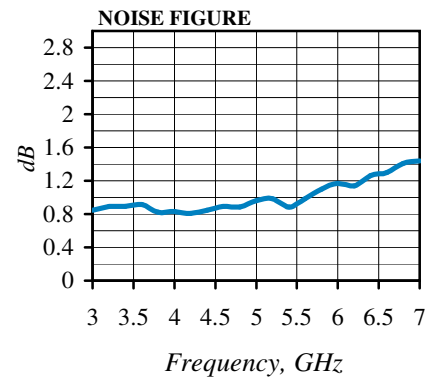
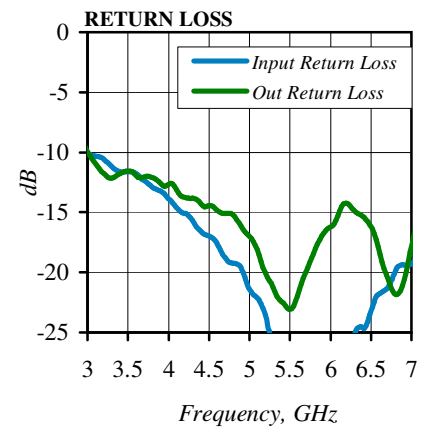
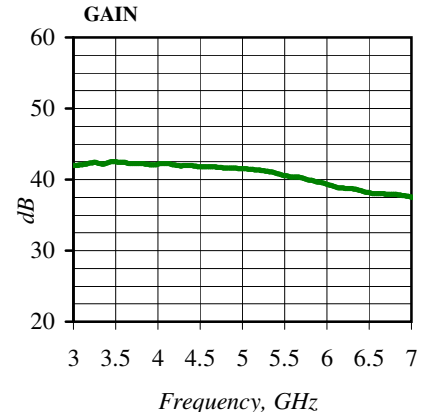
Ordering information

Model No.	Connectors In/Out
AL3000-7000-17	SMA-female

Outline drawing dimensions in mm



Typical Performance



Specifications Subject To Change Without Notice

