

FEATURES :

- Frequency range 4400-5000MHz
- Gain 40dB typ.
- Output power at 1dB compression 24dBm
- Noise figure 1.3dB max
- Limiter Protected Input
- Unconditionally stable

SPECIFICATIONS @+25°C

| | |
|---------------------------|----------------------|
| Frequency range, [MHz] | 4400-5000 |
| Gain [dB], min/max | 38 / 42 |
| Noise figure. [dB], max | 1.3 |
| Output 1dB c.p.[dBm] min. | 24 |
| Gain flatness [dB], max. | ±0.75 |
| VSWR, IN/OUT max. | 2.0:1 / 2.0:1 |
| Unconditional Stability | $K > 1$ and $B1 > 0$ |

Operating Characteristics

| | |
|------------------------------------|------------|
| Supply voltage, [V] | +12 |
| Supply current(small signal), [mA] | 220 |
| Impedance, Input / Output [Ohm] | 50 |
| Operating temperature, [°C] | -20 to +70 |

Absolute maximum Ratings

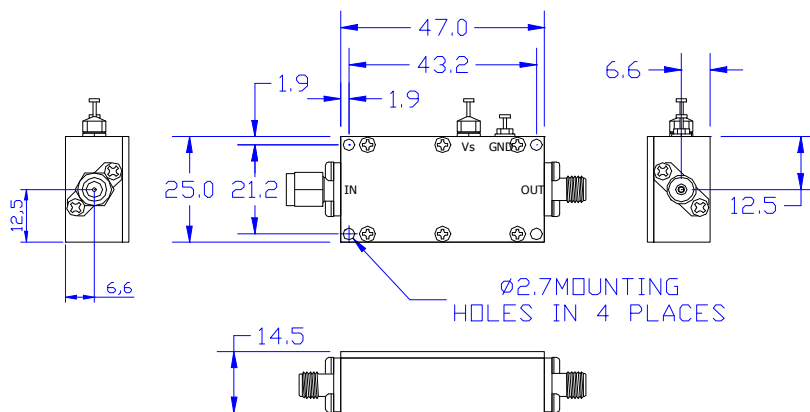
| | |
|---|-------------|
| RF input power, CW [W]* | 1 |
| RF input power, pulsed, 1us, 1% DC [W]* | 100 |
| Supply voltage, [V] | +12 |
| Storage temperature, [°C] | -55 to +150 |

Ordering information

| Model No. | Connectors In/Out |
|----------------|-----------------------|
| AL4400-5000-25 | SMA-male / SMA-female |

Outline drawing

dimensions in mm



* Appropriate heat sink required when operated at near maximum power

Specifications Subject To Change Without Notice

Rev. C 24.05.2024

Typical Performance

