

FEATURES :

- Frequency range 5200-5400MHz
- Gain 34-37dB
- Output power at 1dB compression 18dBm
- Noise figure 2dB max
- Limiter Protected Input

SPECIFICATIONS @+25°C

Frequency range, [MHz]	5200-5400
Gain [dB], min/max	34 / 37
Noise figure, [dB], max	2.0
Output 1dB c.p.[dBm] min.	18
Gain flatness [dB], max.	0.5
VSWR, IN/OUT max.	1.5/2.0:1

Operating Characteristics

Supply voltage, [V]	+12
Supply current, [mA]	150
Impedance, Input / Output [Ohm]	50
Operating temperature, [°C]	-20 to +60

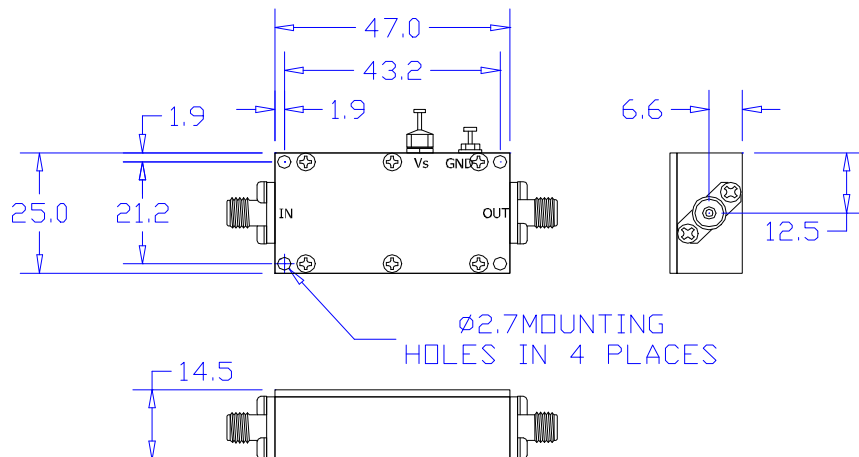
Absolute maximum Ratings

RF input power, CW [dBm]	+30
Supply voltage, [V]	+12
Storage temperature, [°C]	-55 to +150

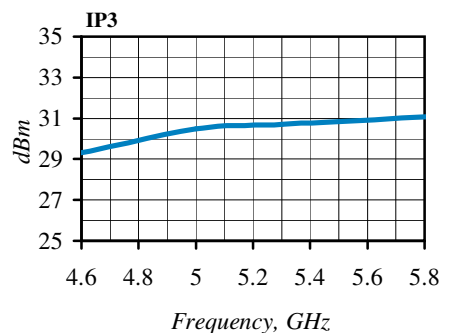
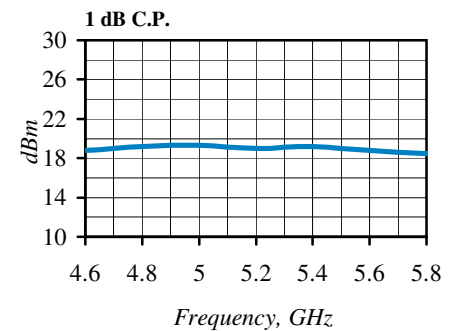
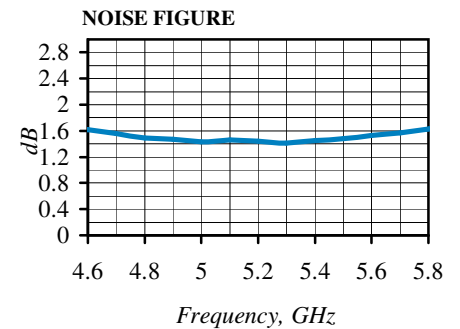
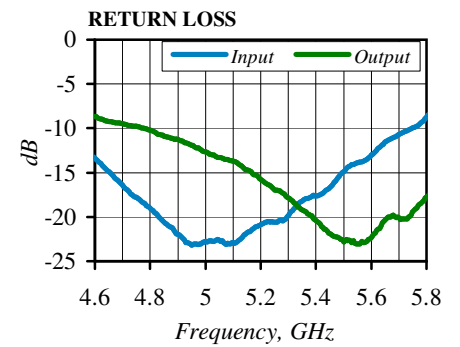
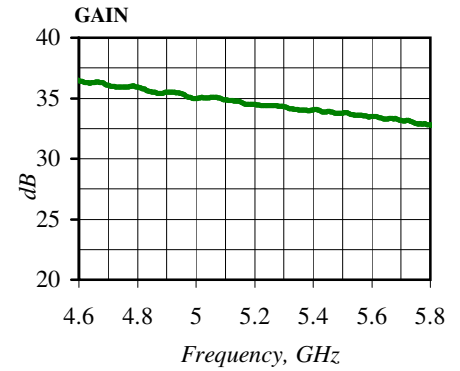
Ordering information

Model No.	Connectors In/Out
AL5200-5400-15C	SMA-female

Outline drawing dimensions in mm



Typical Performance



Specifications Subject To Change Without Notice

