

FEATURES :

- 1000 to 2000MHz
- 40dB Coupling
- 1400W peak power

SPECIFICATIONS

Frequency Range, [MHz]	1000 - 2000
Coupling, with reference to Input, [dB]	40 ± 1.0
Coupling flatness, max [dB]	±0.75
Insertion Loss, max [dB]	0.2
Directivity, min [dB]	18
VSWR	1.15:1

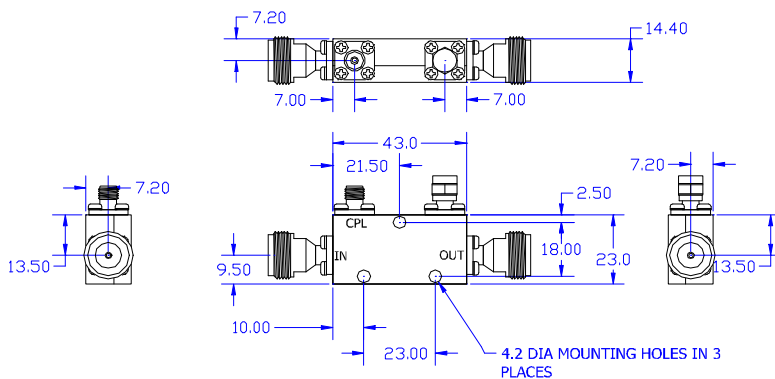
Operating Characteristics

Input Power, [W] pulsed, duty cycle 10% max	1400
Impedance, [Ohm]	50
Altitude [ft], above sea level, max.	20000
Operating Temperature, [°C]	0...+45
Non-operating Temperature, [°C]	-50...+80
Humidity [%], max, non-condensing	95
Mechanical Shock, [g], ½ Sine, 11 ms, non operating	50
Vibration, [g], rms, 20 to 2000 Hz, operating	10

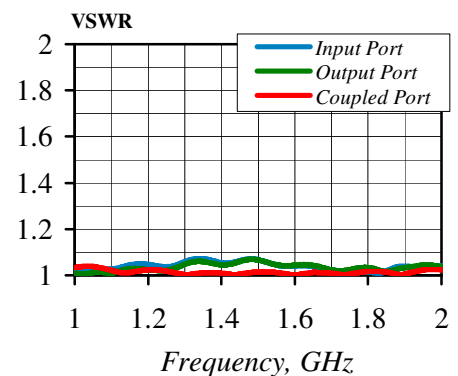
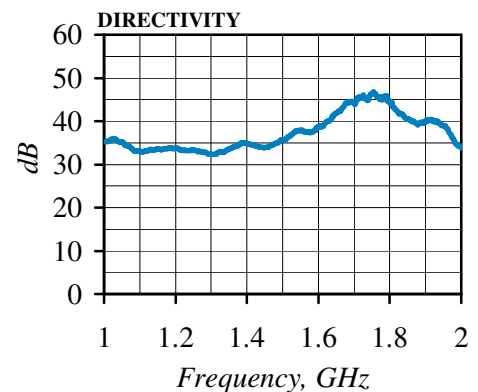
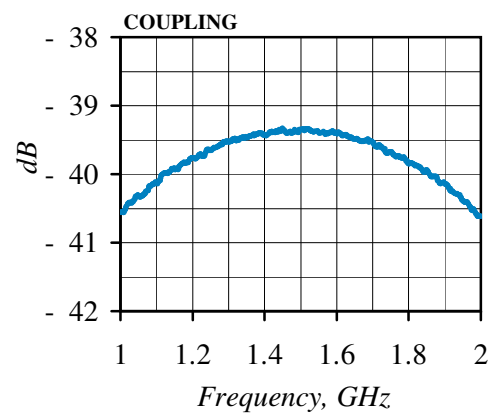
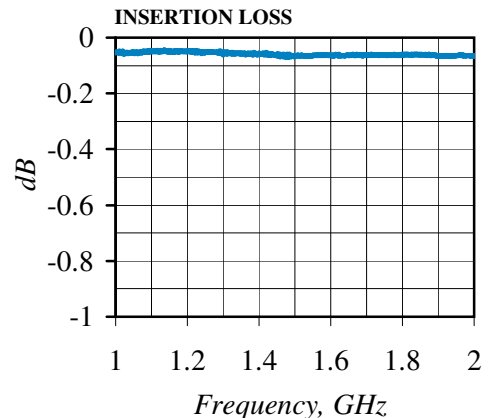
Ordering Information

Model No.	Connectors
CPL1000-2000-40	IN/OUT ports N-female CPL port SMA-female

Outline drawing dimensions in mm



Typical Performance



Specifications Subject To Change Without Notice