

FEATURES :

- 10 to 40GHz
- 10dB Coupling
- 10W

SPECIFICATIONS @+25°C

Frequency Range, [GHz]	10 - 40
Coupling, with reference to Input, [dB]	10 ± 1.0
Coupling flatness, [dB] max.	±0.75
Insertion Loss(including coupling loss), [dB] max.	1.5
Directivity 10GHz to 30GHz [dB], min.	15
30GHz to 40GHz [dB], min.	10
VSWR, max.	1.3:1

Operating Characteristics

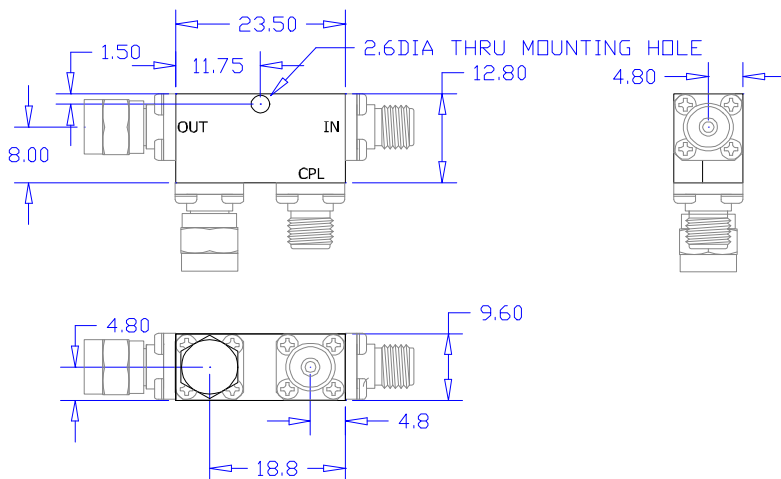
Input Power, [W] CW, max	10
Impedance, [Ohm]	50
Operating Temperature, [°C]	-20...+70

Ordering Information

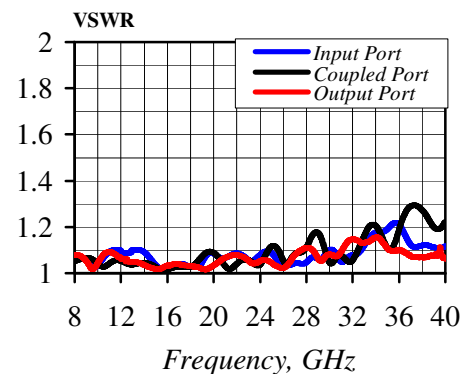
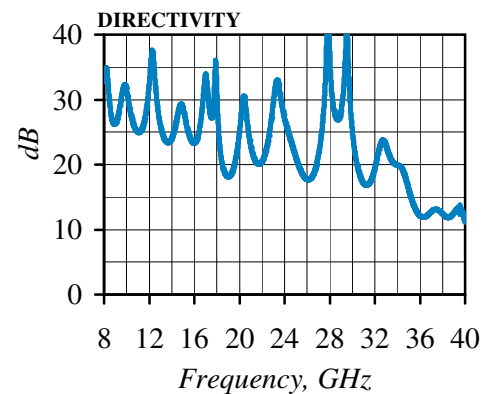
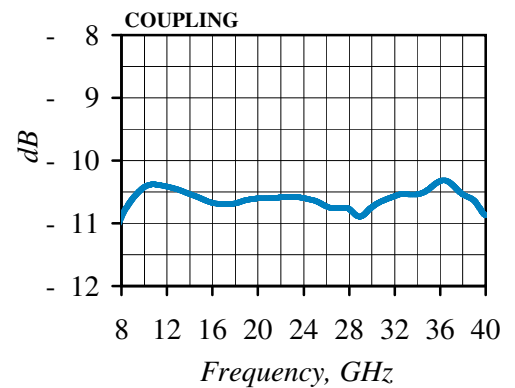
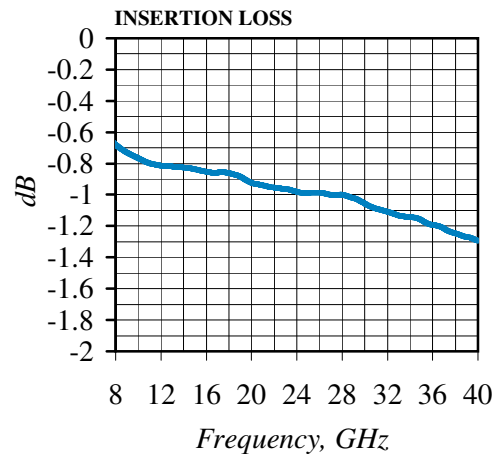
Model No.	Connectors
CPL10000-40000-10	IN, CPL ports 2.92mm(F) OUT port 2.92mm(M)

Outline drawing

dimensions in mm



Typical Performance



Specifications Subject To Change Without Notice