

FEATURES :

- 20dB Coupling
- 2 to 26.5GHz
- 20W

SPECIFICATIONS @+25°C

Frequency Range, [GHz]	2 - 26.5	
Coupling, with reference to Input, [dB]	20 ± 1.0	
Coupling flatness, max [dB]	±1.0	
True Ins. Loss*, max [dB]	2-8GHz	0.4
	8-18GHz	0.7
	18-26.5GHz	1.1
Directivity, typ / min [dB]	2-8GHz	23 / 20
	8-18GHz	20 / 17
	18-26.5GHz	18 / 15
VSWR max	2-8GHz	1.2:1
	8-18GHz	1.3:1
	18-26.5GHz	1.4:1

Operating Characteristics

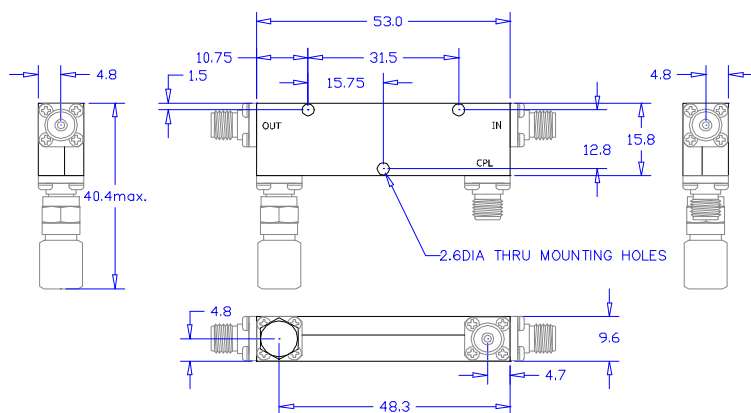
Input Power, [W] with matched loads	20
Impedance, [Ohm]	50
Operating Temperature	-20°C... +60°C

Ordering Information

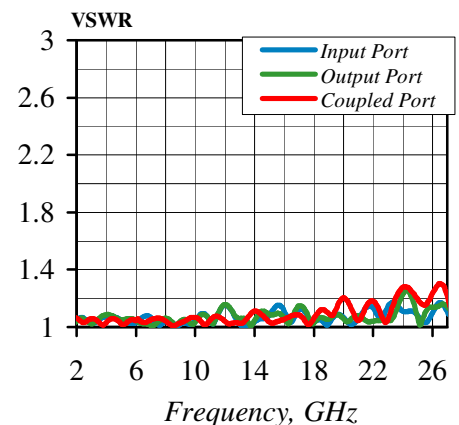
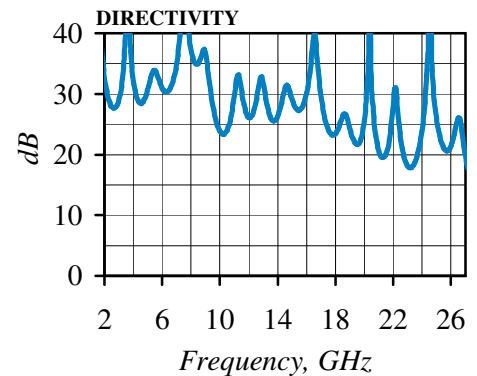
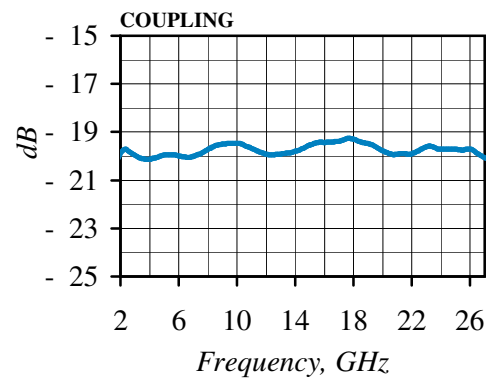
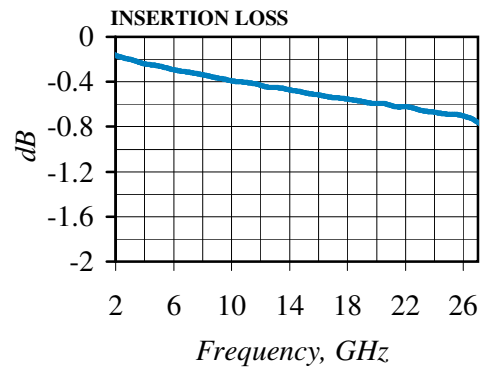
Model No.	Connectors
CPL2000-26500-20	SMA-female

Outline drawing

dimensions in mm



Typical Performance



*Including coupling loss

Specifications Subject To Change Without Notice

Rev. A 12.12.2022

