

**FEATURES :**

- *Small Size*
- *Wide Stopband*
- *Low Loss*

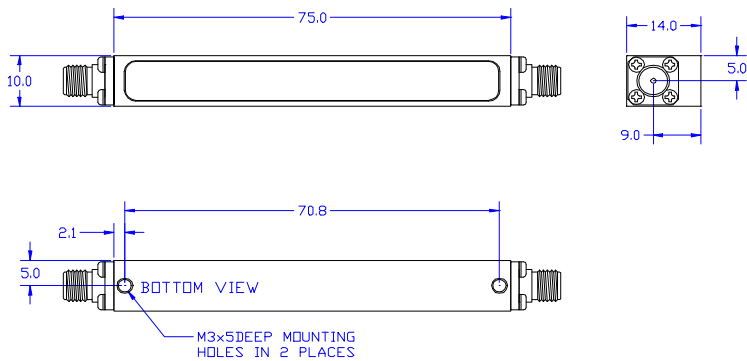
**SPECIFICATIONS @+25°C**

Center Frequency, [GHz]	1.92
1.5dB Passband, [GHz]	1.42 to 2.42
Insertion Loss @CF, [dB] max.	1.8
Reject Bands, [GHz]	DC to 1.14 and 2.7 to 8
Reject Attenuation, [dB] min.	60
VSWR, max	1.4 : 1
Average Power, [Watts]	1
<b>Operating Characteristics</b>	
Operating Temperature	-40°C to+85°C
Impedance, [Ohm]	50

**Ordering Information**

<b>Model No.</b>	<b>Connectors</b>
FBL19-1920-1000	SMA-female

**Outline drawing**



Dimensions in mm

Specifications Subject To Change Without Notice  
Rev. C 12.06.2024

