

FEATURES :

- **Small Size**
- **Wide Stopband**
- **Low loss**

SPECIFICATIONS @+25°C

Center Frequency, [MHz]	2187
Insertion Loss @CF, [dB] max.	1.3
3dB Passband, [MHz] min.	255.0

Rejection DC to 2.0GHz, [dBc] min.	50
Rejection 2.4 to 17.3GHz, [dBc] min.	60
VSWR	1.5 : 1
Average Power, [Watts]	5

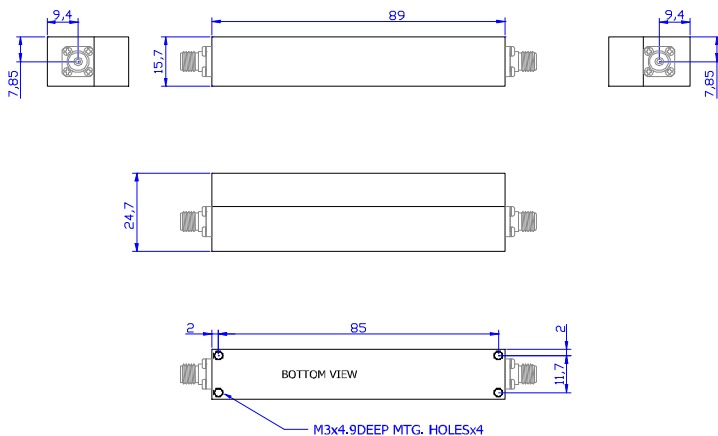
Operating Characteristics

Operating Temperature	-20°C to +60°C
Impedance, [Ohm]	50

Ordering Information

Model No.	Connectors
FCL10-2187-255	SMA-female

Outline drawing



Dimensions in mm

Specifications Subject To Change Without Notice

Rev. B 03.05.2023

Typical Performance

