

**FEATURES :**

- **Small Size**
- **High Power**
- **Low loss**

**SPECIFICATIONS @+25°C**

Center Frequency, [MHz]	1333
Insertion Loss @CF, [dB] max.	1
3dB Passband, [MHz] min.	20.0
Reject Bands, [GHz]	DC to 1.25 & 1.4 to 6
Reject Attenuation, [dB] min.	70
VSWR, max.	1.3 : 1
Average Power, [Watts]	25

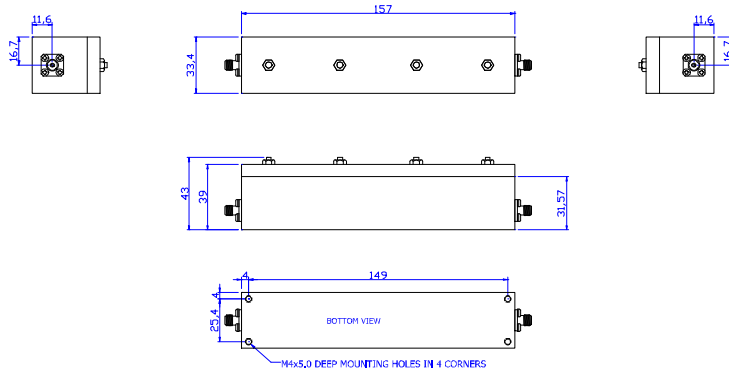
**Operating Characteristics**

Operating Temperature	-55°C to +85°C
Impedance, [Ohm]	50

**Ordering Information**

<b>Model No.</b>	<b>Connectors</b>
FCL4-1333-20	SMA-female

**Outline drawing**



Dimensions in mm

Specifications Subject To Change Without Notice

Rev. B 14.12.2022

**Typical Performance**

