

**FEATURES :**

- **Small Size**
- **Wide Stopband**
- **Low loss**

**SPECIFICATIONS @+25°C**

Center Frequency, [GHz]	13.5
Passband, [GHz], min	13 to 14
Passband Loss, [dB] max.	1.0
Reject Bands, [GHz]	DC to 10.5 & 16.0 to 40
Reject Attenuation, [dBc] min.	50
VSWR	1.5 : 1
Average Power, [Watts]	5

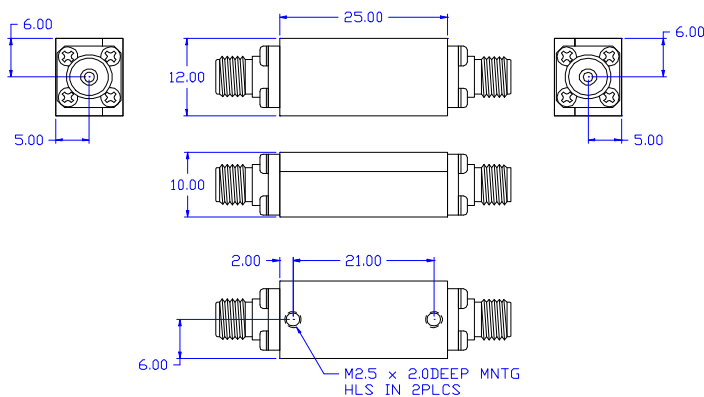
**Operating Characteristics**

Operating Temperature	-40°C to +85°C
Impedance, [Ohm]	50

**Ordering Information**

Model No.	Connectors
FCL4-13500-1000	SMA-female

**Outline drawing**



Dimensions in mm

Specifications Subject To Change Without Notice

Rev. B 11.06.2024

**Typical Performance**

