

FEATURES :

- **Small Size**
- **High Power**
- **Low loss**

SPECIFICATIONS @+25°C

Center Frequency, [MHz]	1595
Insertion Loss @CF, [dB] max.	0.8
1dB Passband, [MHz] min.	10.0
	DC to 1.53 & 1.66 to 4.7
Reject Bands, [GHz]	
Reject Attenuation, [dB] min.	60
VSWR, max.	1.2 : 1
Average Power, [Watts]	25
Peak Power, [Watts]	100

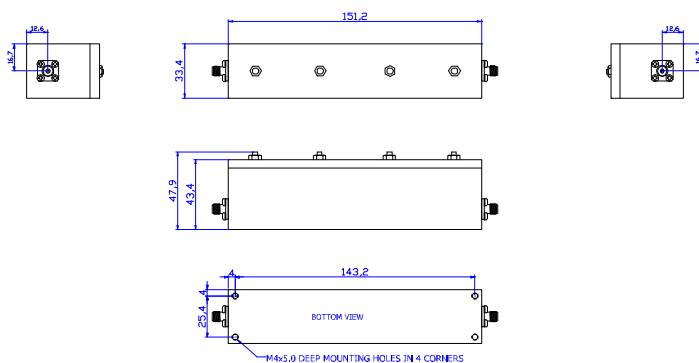
Operating Characteristics

Operating Temperature	-20°C to +70°C
Impedance, [Ohm]	50

Ordering Information

Model No.	Connectors
FCL4-1595-10	SMA-female

Outline drawing



Dimensions in mm

Specifications Subject To Change Without Notice

Rev. B 14.10.2022

Typical Performance

