

FEATURES :

- **Small Size**
- **High Power**
- **Low loss**

SPECIFICATIONS @+25°C

Center Frequency, [MHz]	1520
Insertion Loss @CF, [dB] max.	0.8
1dB Passband, [MHz] min.	40.0
Reject Bands, [GHz]	DC to 1.455 & 1.5754 to 5.2
Reject Attenuation, [dB] min.	30
VSWR, max.	1.3 : 1
Average Power, [Watts]	25

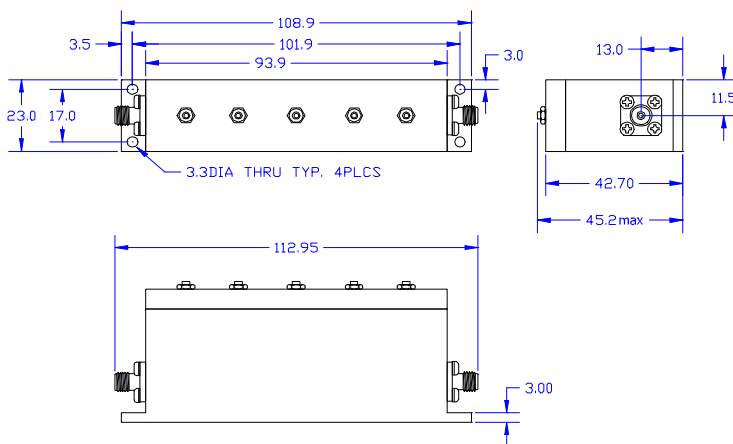
Operating Characteristics

Operating Temperature	-20°C to +70°C
Impedance, [Ohm]	50

Ordering Information

Model No.	Connectors
FCL5-1520-40B	SMA-female

Outline drawing



Dimensions in mm

Specifications Subject To Change Without Notice

Rev. B 14.10.2022

Typical Performance

