

FEATURES :

- **Small Size**
- **High Power**
- **Low loss**

SPECIFICATIONS

Center Frequency, [GHz]	8.65
Passband Frequency, [GHz] min.	8.05 to 9.15
Passband Loss, [dB] max.	1.0
Loss @Center Frequency, [dB] typ	0.5
Reject Bands, [GHz]	DC to 7 and 9.9 to 24.5
Reject Attenuation, [dB] min.	50
VSWR	1.5 : 1
Average Power, [Watts]	10

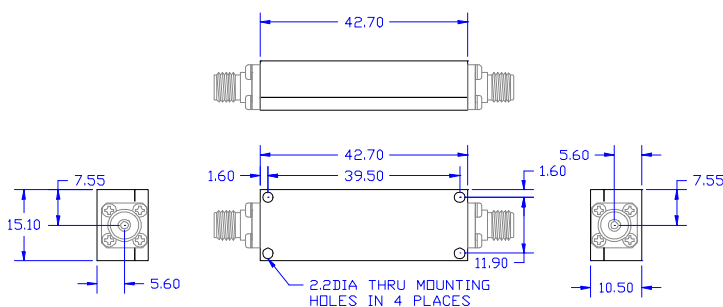
Operating Characteristics

Operating Temperature	-40°C to +85°C
Impedance, [Ohm]	50

Ordering Information

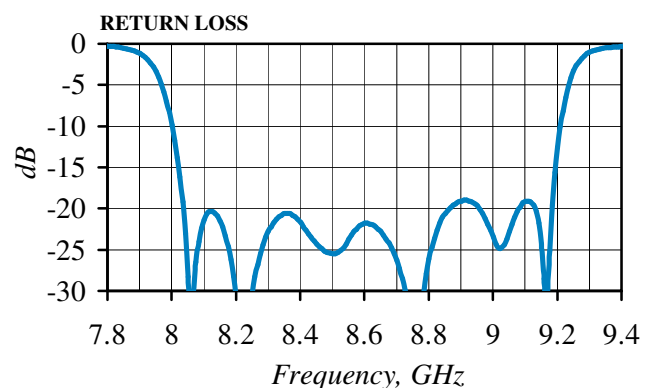
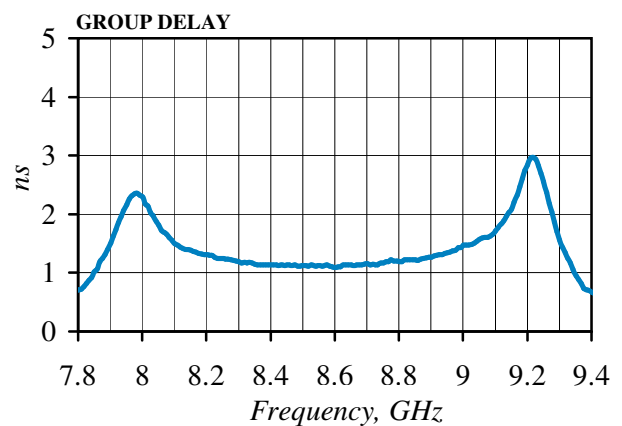
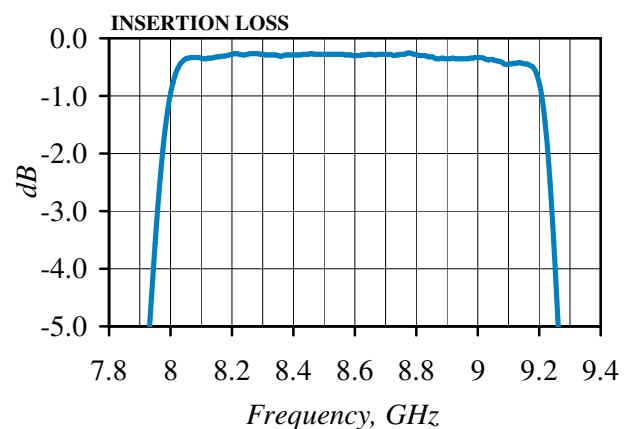
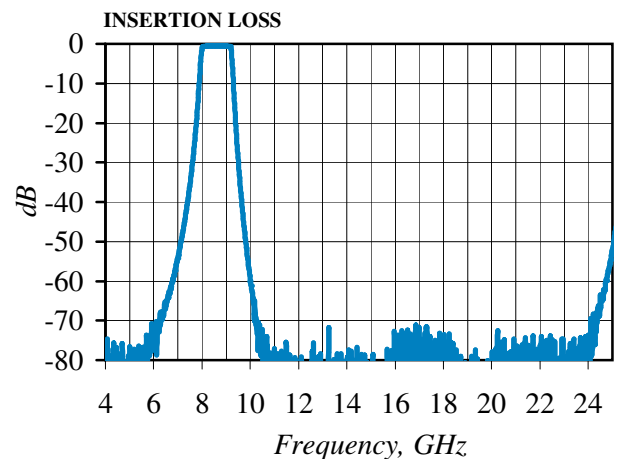
Model No.	Connectors
FCL6-8650-1000	SMA-female

Outline drawing



Dimensions in mm

Typical Performance



Specifications Subject To Change Without Notice

Rev. C 16.2.2023