

FEATURES :

- **Small Size**
- **Wide Stopband**
- **Low loss**

SPECIFICATIONS @+25°C

Center Frequency, [GHz]	8.75
Passband, [GHz], min	8.5 to 9.0
Passband Loss, [dB] max.	1.2
Reject Bands, [GHz]	DC to 8.0 & 9.5 to 24.5
Reject Attenuation, [dBc] min.	50
VSWR	1.5 : 1
Average Power, [Watts]	10

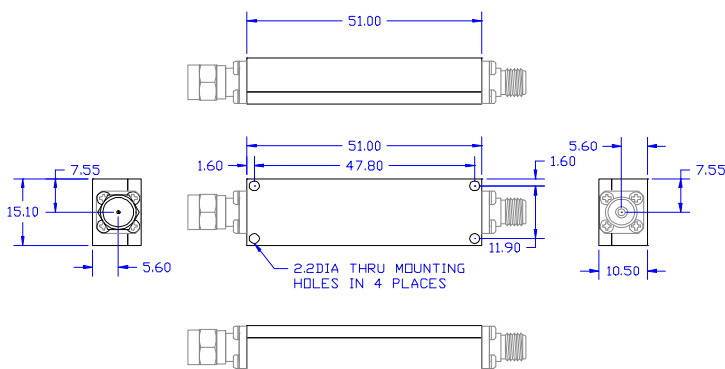
Operating Characteristics

Operating Temperature	-40°C to +85°C
Impedance, [Ohm]	50

Ordering Information

Model No.	Connectors
FCL6-8750-500	SMA(F) / SMA(M)

Outline drawing



Dimensions in mm

Specifications Subject To Change Without Notice

Rev. B 13.06.2023

Typical Performance

