

**FEATURES :**

- **Small Size**
- **Wideband**
- **Low loss**

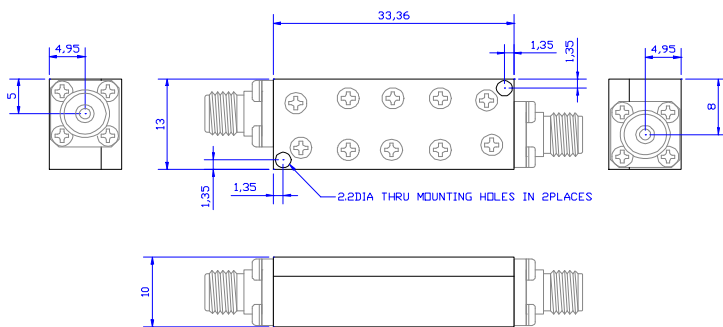
**SPECIFICATIONS**

Center Frequency, [GHz]	14
Insertion Loss in passband, [dB] max.	1.5
Passband, [GHz]	10 to 18
Reject Bands, [GHz]	DC to 8 & 21.6 to 28
Reject Attenuation, [dB] min.	50
VSWR	2.0 : 1
Average Power, [Watts]	5
<b>Operating Characteristics</b>	
Operating Temperature	40°C to +85°C
Impedance, [Ohm]	50

**Ordering Information**

<b>Model No.</b>	<b>Connectors</b>
FID10-14000-8000	SMA-female

**Outline drawing**



Dimensions in mm

Specifications Subject To Change Without Notice  
Rev. B 15.09.2022

**Typical Performance**

