

FEATURES :

- **Steep Rejection**
- **Small Size**
- **Wide Stopband**
- **Cryogenic**

SPECIFICATIONS @77 K

3dB Corner Frequency, [GHz] min.	12
Passband Frequencies, [MHz]	DC to 11
Passband Loss, [dB] max.	0.8
Stopband Frequencies, [GHz]	16.25 to 30
Stopband rejection, [dB] min	50
VSWR	1.5 : 1

Operating Characteristics

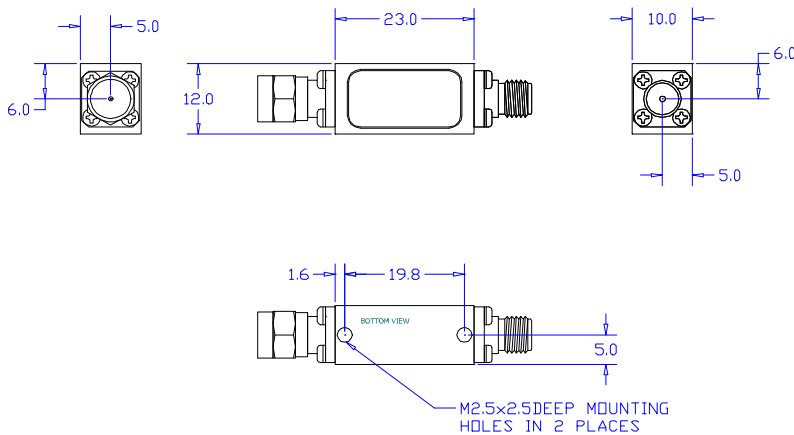
Input Power, DC to 10.8GHz, [W] with matched load	1
Impedance, [Ohm]	50
Operating Temperature, K	77

Ordering Information

Model No.	Connectors
FLL11-12000-C	SMA-Male / SMA-Female

Outline drawing

dimensions in mm



* Simulation only, real units may vary.
Rev. B 14.06.2024

Typical Performance

