

FEATURES :

- *Small Size*
- *Steep Rejection*
- *Low Loss*

SPECIFICATIONS

Passband, [MHz] min.	DC to 146
Passband Loss, [dB] max.	1.0
3dB Corner Frequency, [MHz] min.	150
Stopband, [MHz] min.	225 to 2000
Stopband rejection, [dB] min.	40
VSWR	1.5 : 1

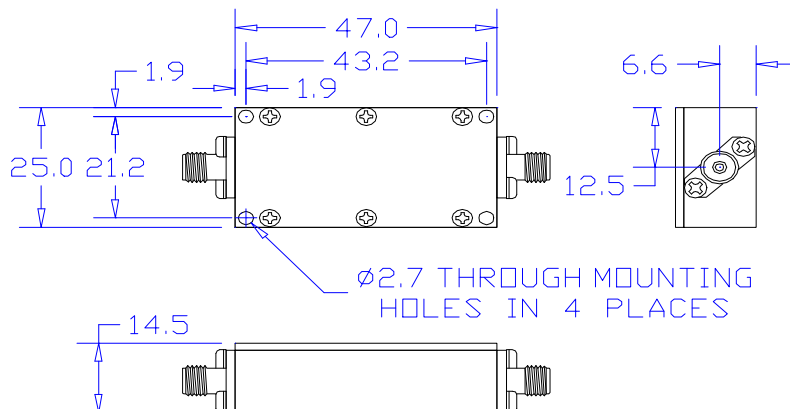
Operating Characteristics

Input Power, [W] max. with matched load	1
Impedance, [Ohm]	50
Connector options	SMA, BNC
Operating Temperature	-20°C to +70°C

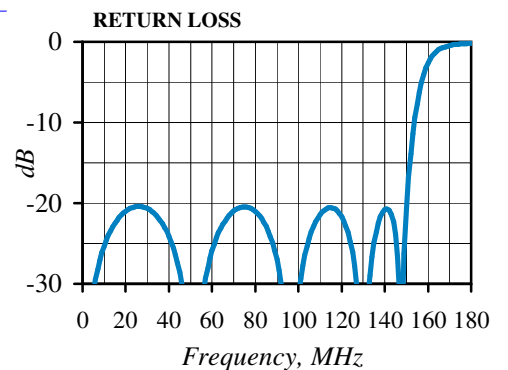
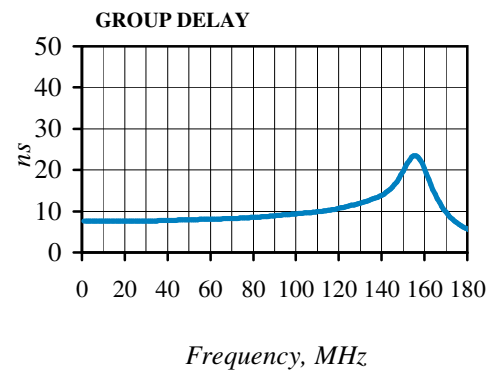
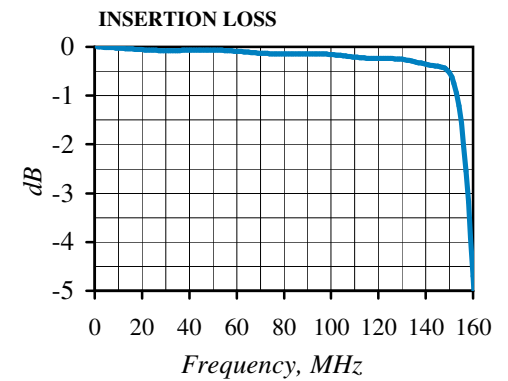
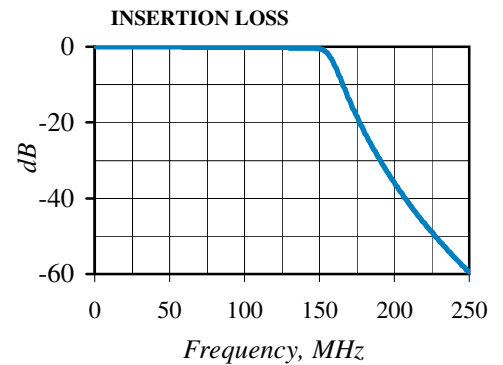
Ordering Information

Model No.	Connectors
FLL9-146-SMA	SMA female
FLL9-146-BNC	BNC female

Outline drawing dimensions in mm



Typical Performance*



*Simulation only, real filter may vary
Specifications Subject To Change Without Notice