

FEATURES :

- *Low Loss*
- *High Power*
- *Wide Stopband*
- *Elliptic topology*

SPECIFICATIONS

| | |
|--------------------------|----------------------|
| Passband Frequency, [MHz | DC - 174 |
| Passband Loss, [dB] max. | 0.7 |
| | 38dBc@216MHz |
| | 40dBc@230MHz |
| Rejection, min | 50dBc@280 to 1000MHz |
| VSWR max. | 1.5:1 |

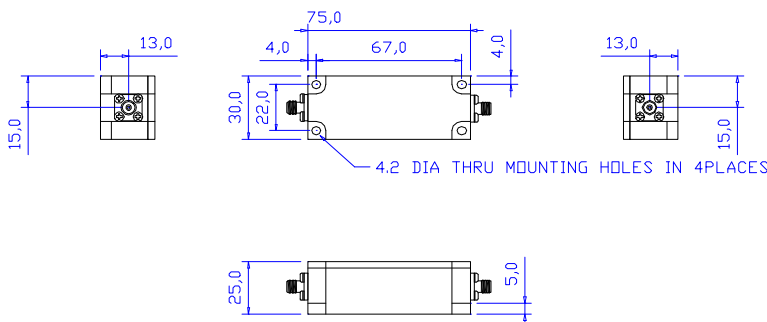
Operating Characteristics

| | |
|--|----------------|
| Average Power, [W] with matched load** | 250 |
| Operating Temperature | -20°C to +60°C |
| Storage Temperature | -50°C to +90°C |
| Impedance, [Ohm] | 50 |

Ordering Information

| Model No. | Connectors |
|----------------|------------|
| FLLE7-174C-SMA | SMA-female |

Outline drawing



Dimensions in mm

*Simulation only, real units may vary

** Proper heat sink required

Specifications Subject To Change Without Notice

Typical Performance*

