

FEATURES :

- *Low Loss*
- *High Power*
- *Wide Stopband*
- *Elliptic Topology*

SPECIFICATIONS

| | |
|---------------------------|--------------------------------------|
| Passband Frequency, [MHz] | DC - 406 |
| Passband Loss, [dB] max. | 0.7 |
| Rejection, min | 26dBc@450MHz 30dBc@470 to 1000MHz |
| VSWR max. | 1.5:1 |

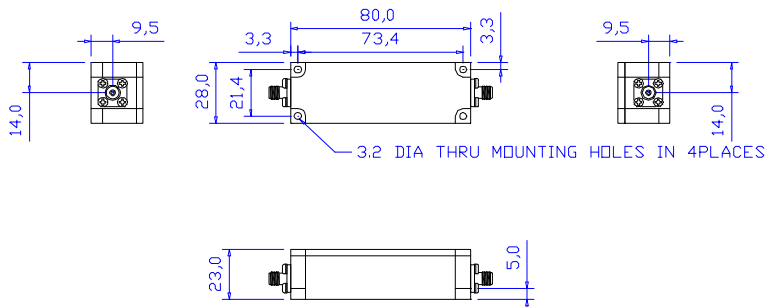
Operating Characteristics

| | |
|--|----------------|
| Average Power, [W] with matched load** | 200 |
| Operating Temperature | -20°C to +60°C |
| Storage Temperature | -50°C to +90°C |
| Impedance, [Ohm] | 50 |

Ordering Information

| Model No. | Connectors |
|----------------|------------|
| FLLE7-406B-SMA | SMA-female |

Outline drawing



Dimensions in mm

*Simulation only, real units may vary
 ** Proper heat sink required
 Specifications Subject To Change Without Notice

Typical Performance*

