

**FEATURES :**

- *Stopband Frequency 225 to 400MHz*
- *57dB Rejection*
- *Passband up to 1.8GHz*

**SPECIFICATIONS**

Stopband Frequency, [MHz]	225 to 400
Stopband Attenuation, [dB] min.	57
Lower Passband Frequency, [MHz]	DC to 190
Higher Passband Frequency, [MHz]	445 to 1800
Passband Loss, [dB] max.	1.5
Passband Return Loss, [dB], min.	15

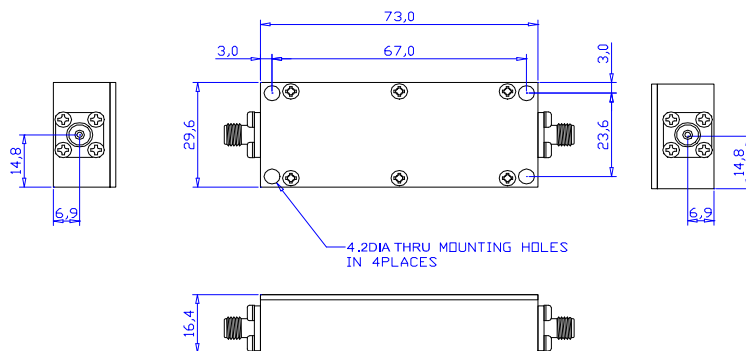
**Operating Characteristics**

Input Power, [W] with matched load	1
Impedance, [Ohm]	50
Operating Temperature, [°C]	-40 to +85

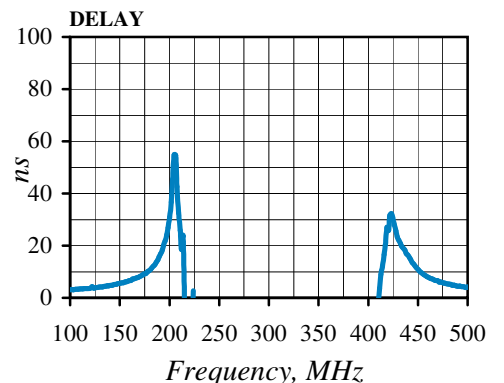
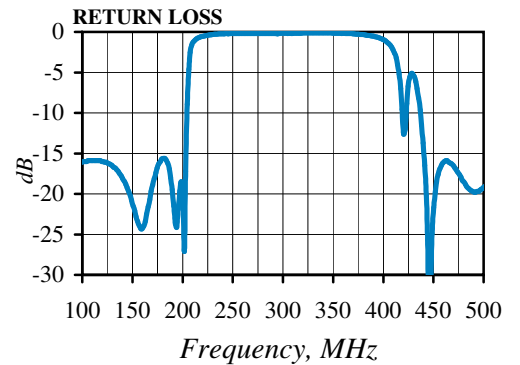
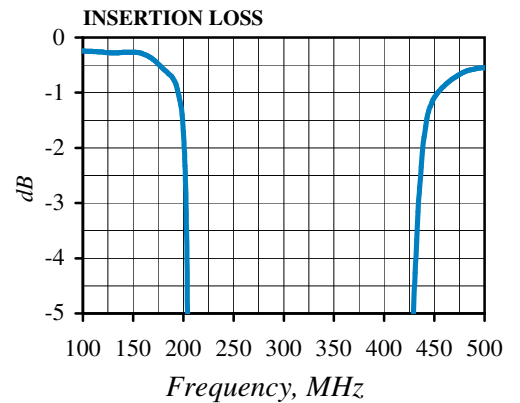
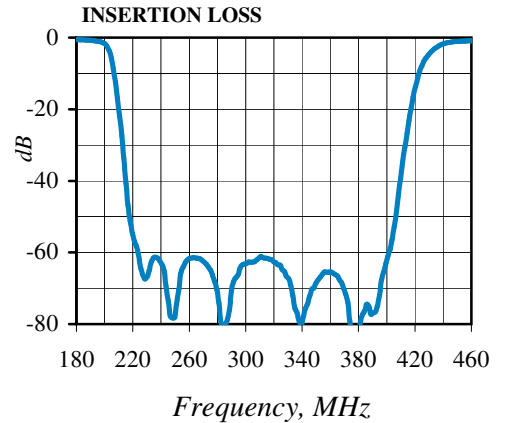
**Ordering Information**

<b>Model No.</b>	<b>Connectors</b>
FSL11-225-400-SMA	SMA-female

**Outline drawing** dimensions in mm



**Typical Performance**



Specifications Subject To Change Without Notice  
Rev. A 12.01.2023

