

**FEATURES :**

- *Stopband Frequency 313 to 317MHz*
- *40dB Rejection*
- *Passband up to 3GHz*

**SPECIFICATIONS**

Stopband Frequency, [MHz]	313-317
Stopband Attenuation , [dB] min.	40
Lower Passband Frequency, [MHz]	DC to 290
Higher Passband Frequency, [MHz]	345 to 3000
Passband Loss, [dB] max.	1
VSWR	1.5:1

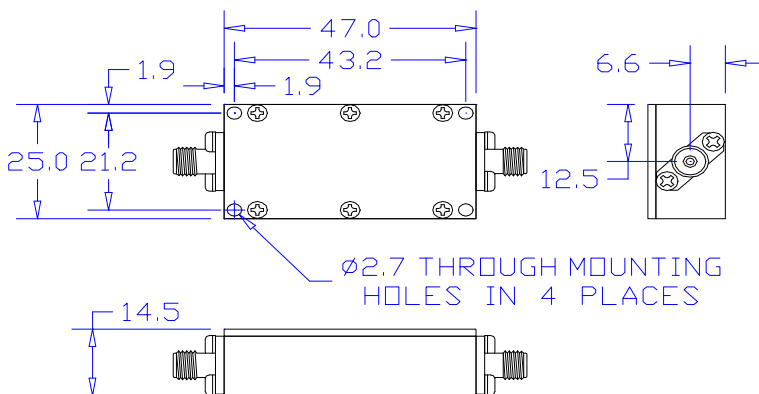
**Operating Characteristics**

Input Power, CW [W] with matched load	1
Impedance, [Ohm]	50
Operating Temperature, [°C]	-20 to +70

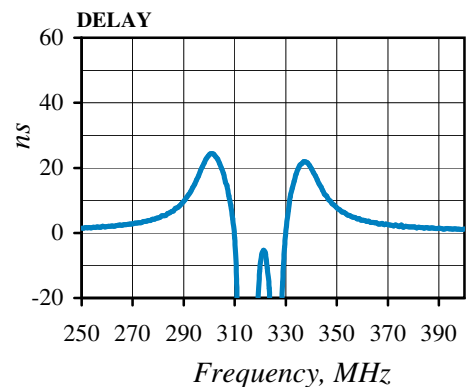
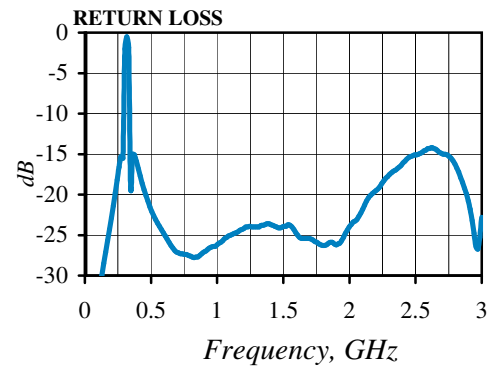
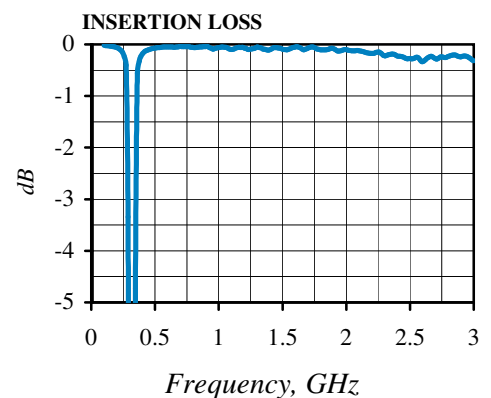
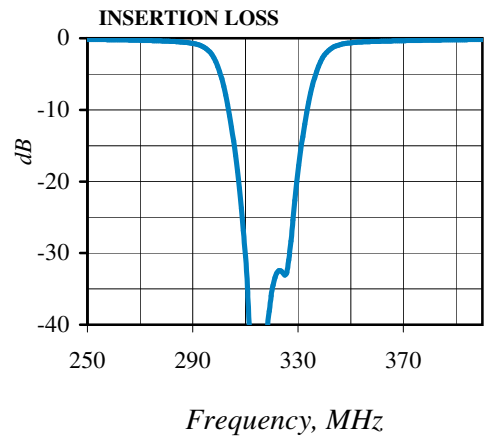
**Ordering Information**

Model No.	Connectors
FSL3-315-4-SMA	SMA

**Outline drawing**                      dimensions in mm



**Typical Performance**



Specifications Subject To Change Without Notice  
Rev. A 12.01.2023

