

FEATURES :

- **Stopband Frequency 375 to 379MHz**
- **35dB Rejection**
- **Passband up to 1.5GHz**

SPECIFICATIONS

Stopband Frequency, [MHz]	375-379
Stopband Attenuation, [dB] min.	35
Lower Passband Frequency, [MHz]	DC to 340
Higher Passband Frequency, [MHz]	410 to 1500
Passband Loss, [dB] max.	1
VSWR	1.5:1

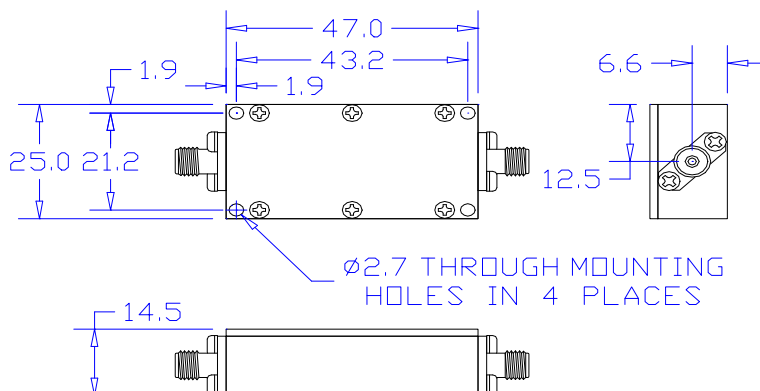
Operating Characteristics

Input Power, CW [W] with matched load	10
Impedance, [Ohm]	50
Operating Temperature, [°C]	-40 to +85

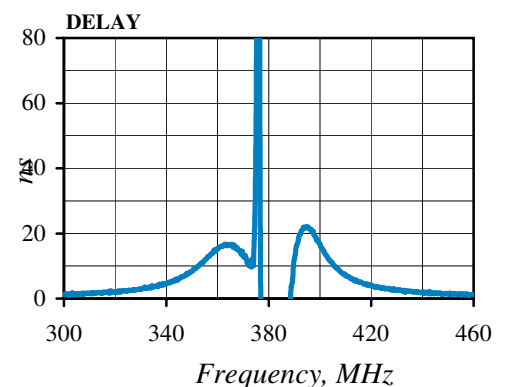
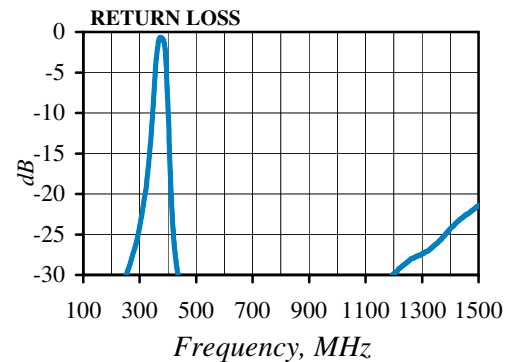
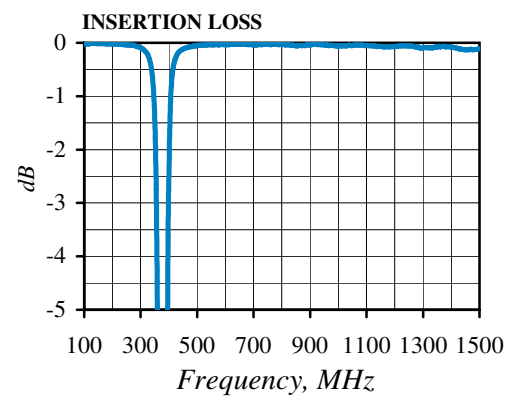
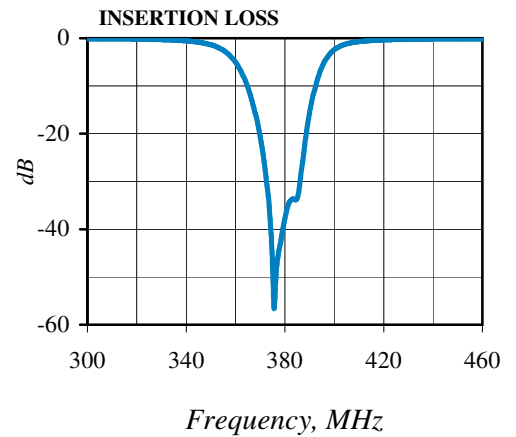
Ordering Information

Model No.	Connectors
FSL3-377-4-SMA	SMA-female

Outline drawing dimensions in mm



Typical Performance



Specifications Subject To Change Without Notice
Rev. A 12.01.2023

