

FEATURES :

- **Stopband Frequency 95 to 105MHz**
- **40dB Rejection**
- **Passband up to 3GHz**

SPECIFICATIONS

Stopband Frequency, [MHz]	95-105
Stopband Attenuation , [dB] min.	40
Lower Passband Frequency, [MHz]	DC to 70
Higher Passband Frequency, [MHz]	140 to 3000
Passband Loss, [dB] max.	0.8
VSWR	1.5:1

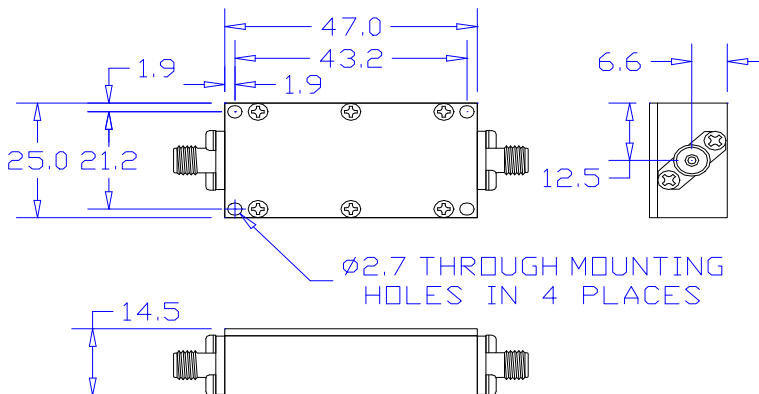
Operating Characteristics

Input Power, CW [W] with matched load	1
Impedance, [Ohm]	50
Operating Temperature, [°C]	-20 to +70

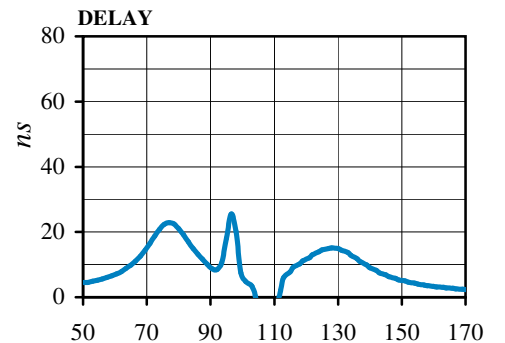
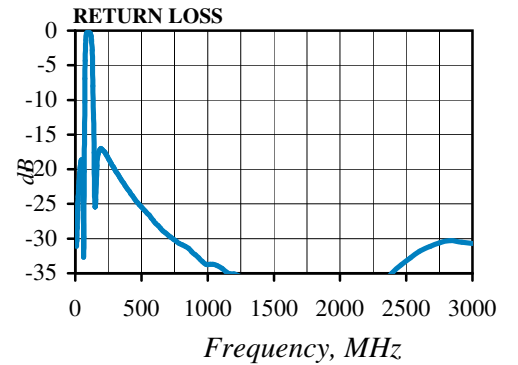
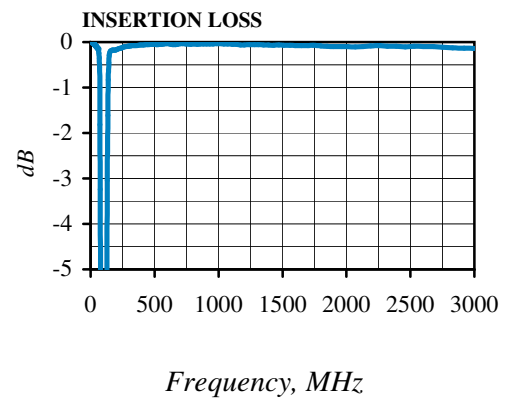
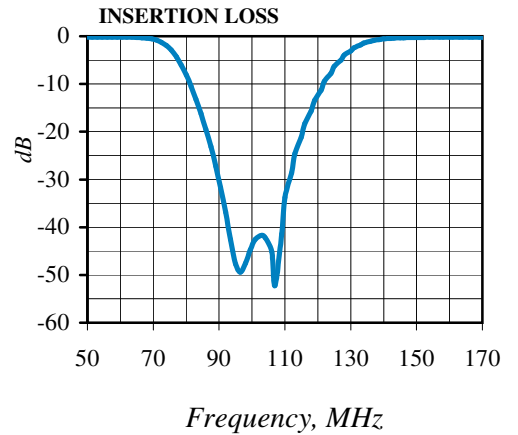
Ordering Information

Model No.	Connectors
FSL-30-88-SMA	SMA

Outline drawing dimensions in mm



Typical Performance



Specifications Subject To Change Without Notice
Rev. A 12.01.2023

