

FEATURES :

- Notch Frequency 1030MHz
- 60dB Rejection
- Passband up to 5.2GHz

SPECIFICATIONS

Notch Frequency, [MHz]	1030
Stopband Attenuation, [dB] min.	60
Lower Passband Frequency, [MHz]	DC to 930
Higher Passband Frequency, [MHz]	1100 to 5200
Passband Loss, [dB] max.	0.8
VSWR	1.5:1

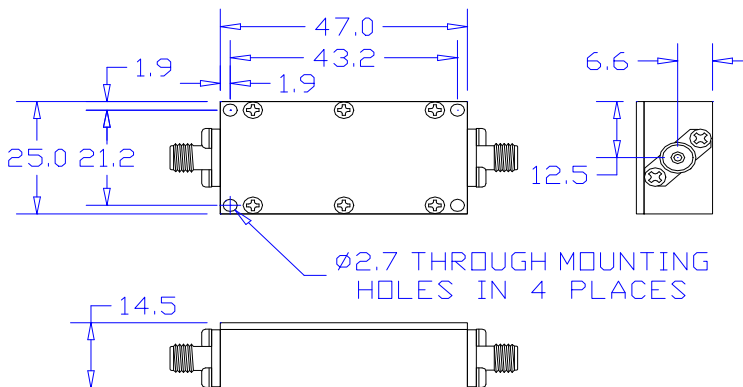
Operating Characteristics

Input Power, pulsed [W] with matched load	
10% DC	25
Impedance, [Ohm]	50
Operating Temperature, [°C]	-20 to +70

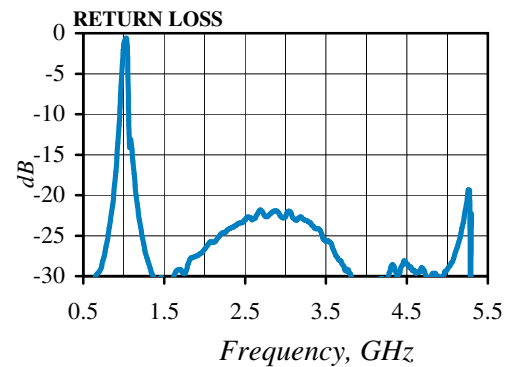
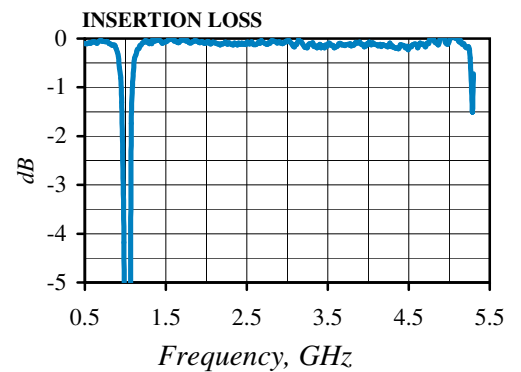
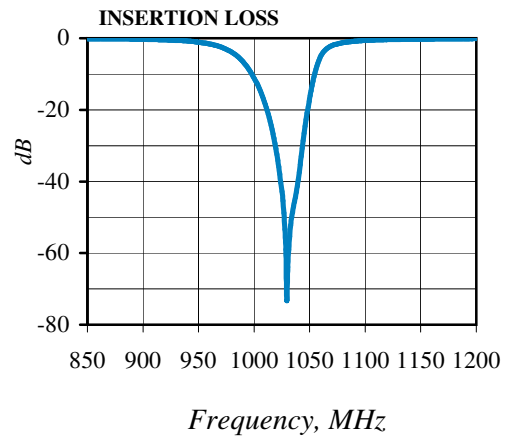
Ordering Information

Model No.	Connectors
FSL4-1030-SMA	SMA

Outline drawing dimensions in mm



Typical Performance



Specifications Subject To Change Without Notice

Rev. A 12.01.2023

