

FEATURES :

- Stopband Frequency 2.42 to 2.45GHz
- 65dB Rejection
- Passband up to 7GHz

SPECIFICATIONS

| | |
|----------------------------------|------------|
| Stopband Frequency, [GHz] | 2.42-2.45 |
| Stopband Attenuation, [dB] min. | 65 |
| Lower Passband Frequency, [GHz] | DC to 2.32 |
| Higher Passband Frequency, [GHz] | 2.58 to 7 |
| Passband Loss, [dB] max. | 1 |
| VSWR | 1.5:1 |

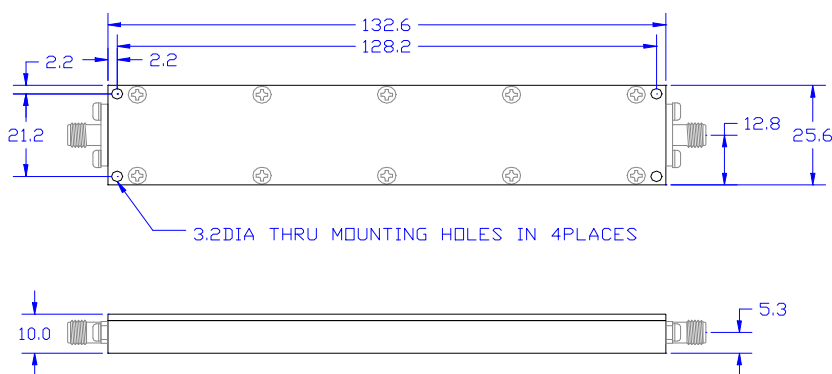
Operating Characteristics

| | |
|---------------------------------------|------------|
| Input Power, CW [W] with matched load | 1 |
| Impedance, [Ohm] | 50 |
| Operating Temperature, [°C] | -20 to +70 |

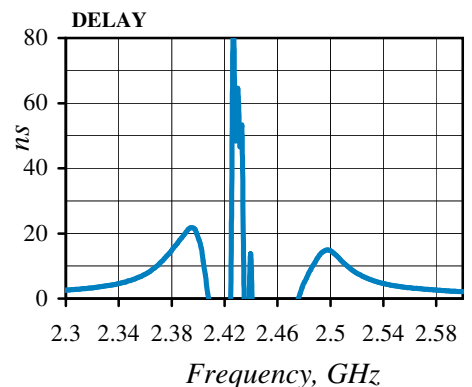
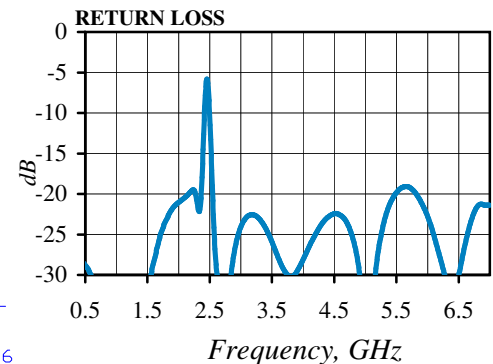
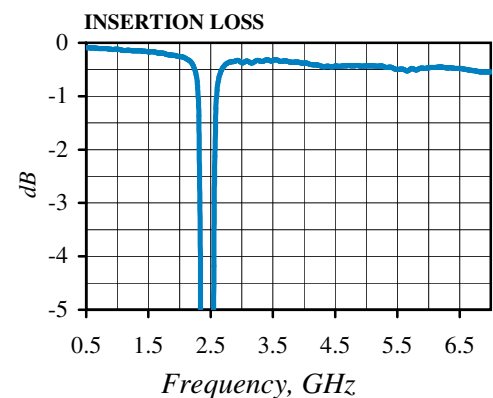
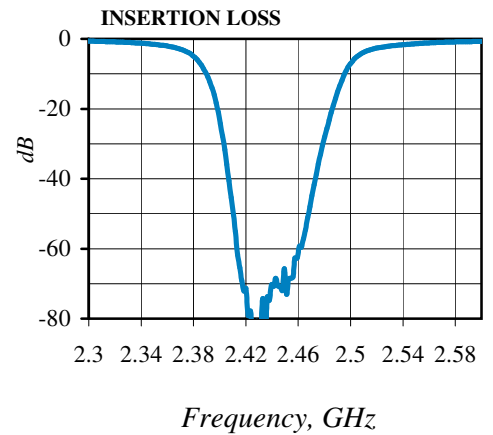
Ordering Information

| | |
|------------------|-------------------|
| Model No. | Connectors |
| FSM-2450-85-SMA | SMA-female |

Outline drawing dimensions in mm



Typical Performance



Specifications Subject To Change Without Notice
Rev. A 12.01.2023

